

# A great solution for every cabinet



Lift+Turn

Flap systems for furniture

## Huwil Flap Hardware in good hands.



The trend in furniture design is shifting from doors to flaps – especially in kitchen, bath, living and office furniture applications. The existing Huwil assortment is very well suited to solve even the trickiest application in furniture construction and to provide the end user with the desired opening experience. Duo, Maxi and Senso are incredibly flexible and will fit even the most unique characteristics of furniture flap design – big or small, heavy or light, wood, glass or aluminium – the multiple application possibilities of Huwil's flap hardware is unrivalled.

Huwil is a company with a rich heritage. As of 9, 1, 2009, Häfele and Kesseböhmer took over the flap hardware of Huwil. This step ensures that this extensive and time proven hardware assortment continues to be available.

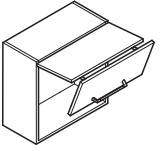
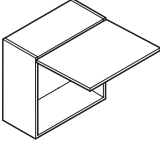
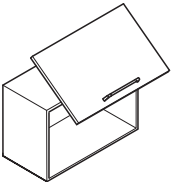
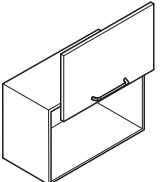
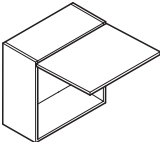
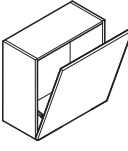
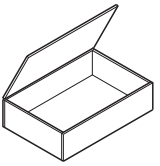
Of course, Häfele and Kesseböhmer will continue to focus on the trends in furniture design and in consultation with our customers, we will develop and expand the flap hardware line.

It is our primary concern that this transition will be as smooth as possible for you. This means that we will maintain reliable delivery services, familiar contacts and procedures wherever possible. And we are hoping for your feedback as we work with you to improve on the existing procedures.

We are confident that you will benefit from the enhanced service quality Häfele offers that is now part of the renowned Huwil hardware.

I am looking forward to continuing our partnership and cooperation.

Sibylle Thierer

Mounting	Description	Model	Flap height	Flap weight	Page
 Double flap lift up fitting	<ul style="list-style-type: none"> <li>• Flap is held reliably in any position</li> <li>• For two-piece flaps</li> <li>• Gentle closing</li> <li>• With hinge connection</li> <li>• Auto-stop</li> <li>• Easy installation</li> <li>• Low installation depth (Senso and E-Senso)</li> </ul>	Senso 3674	up to 900 mm	up to 24.5 kg	2
		E-Senso 3686 (electric)	up to 900 mm	up to 22.0 kg	3
		Fold 3672	up to 840 mm	up to 16.2 kg	6
 Stay flap fitting	<ul style="list-style-type: none"> <li>• Flap is held reliably in any position</li> <li>• Without hinge connection</li> <li>• Soft close possible</li> <li>• Easy installation</li> </ul>	Free 3677	up to 700 mm	up to 17.0 kg	8
 Swing up front fitting	<ul style="list-style-type: none"> <li>• Flap is held reliably in any position</li> <li>• For one-piece flaps</li> <li>• Flap swings up above the cabinet top</li> <li>• Gentle closing</li> <li>• Without hinge connection</li> <li>• Easy installation</li> <li>• Low installation depth (Verso and E-Verso)</li> </ul>	Maxi swing soft 3676	up to 800 mm	up to 14.0 kg	9
		Verso 3684	up to 800 mm	up to 17.0 kg	10
		E-Verso 3687 (electric)	up to 800 mm	up to 18.0 kg	11
 Parallel lift up front fitting	<ul style="list-style-type: none"> <li>• Parallel upwards action</li> <li>• Gentle closing</li> <li>• Without hinge connection</li> <li>• Easy installation</li> <li>• Low installation depth</li> </ul>	Strato 3685	up to 650 mm	up to 16.0 kg	13
		E-Strato 3688 (electric)	up to 650 mm	up to 14.0 kg	14
		Ewiva		up to 8.0 kg	17
 Lid stays	<ul style="list-style-type: none"> <li>• Holds the flap reliably in any position</li> <li>• With hinge connection</li> <li>• Easy installation</li> </ul>	Maxi 3675 overview			19
		Maxi 3675	up to 1000 mm	up to 54.6 kg	21
		Maxi Touch opening 3675	up to 1000 mm	up to 28.0 kg	22
		Maxi 3675	up to 1000 mm	up to 30.0 kg	24
		Duo 3667	up to 500 mm	up to 15.0 kg	27
		Duo forte 3666	up to 700 mm	up to 15.0 kg	27
 Flap stays	<ul style="list-style-type: none"> <li>• Flap function in combination with flap hinges</li> </ul>	Duo 3667	up to 500 mm	up to 15.0 kg	27
		Duo forte 3666	up to 700 mm	up to 15.0 kg	27
 Lid stays specially for chests	<ul style="list-style-type: none"> <li>• Lid is held reliably in any position</li> <li>• With hinge connection</li> <li>• Easy installation</li> </ul>	Maxi up 3675	up to 600 mm	up to 18.8 kg	26

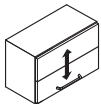
### Senso 3674 Complete set, for two-piece wooden flaps or flaps with aluminium frame



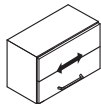
Wooden flap

- Material: Fitting: Plastic, aluminium, cover cap: Plastic
- Finish: Fitting: Silver coloured anodized, cover cap: Grey, similar to RAL 9006
- Screw-on brackets for wood are supplied
- With soft closing mechanism

#### Adjustment facility

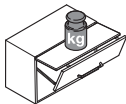


Height adjustment\*

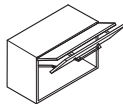


Side adjustment\*

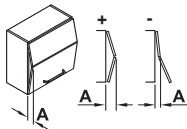
\* depends on the hinges that are used



Holding power adjustment

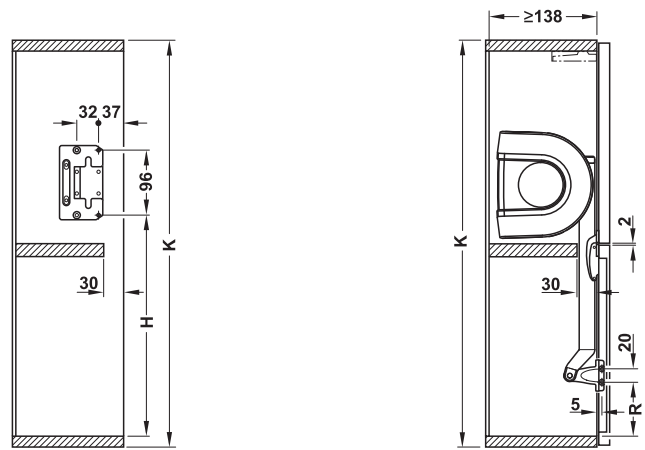
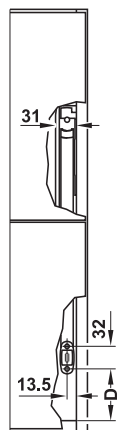
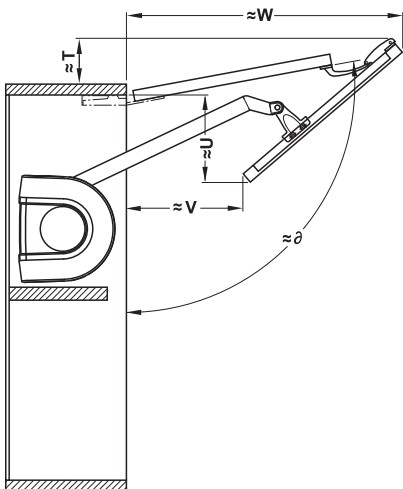


Opening angle adjustment



Centre pull adjustment

#### Installation



#### Installation dimensions

Flap height mm	$\vartheta$	D	H	R	T	U	V	W
550	101°	57.5	290	63.5	70	139	192	390
600	101°	73.5	326	79.5	70	130	170	405
650	103°	67.5	340	73.5	95	160	220	425
720	102°	75.5	378	81.5	96	207	261	456
800	100°	71.5	392	77.5	85	255	260	500
865	102°	47.5	400	53.5	120	260	315	525

#### Supplied with

- 2 Double flap lift up fittings (left/right)
- 2 Screw-on brackets for wooden flaps or flaps with aluminium frame, from frame width 45 mm
- 1 Set of installation instructions

Flap height mm	Flap weight kg	Cat. No.
550 (540 – 580)	3.0 – 6.5	372.64.601
	6.0 – 12.0	372.64.602
	9.0 – 18.0	372.64.603
	12.0 – 24.5	372.64.604
600 (580 – 640)	3.0 – 6.0	372.64.611
	6.0 – 11.0	372.64.612
	9.0 – 17.0	372.64.613
	12.0 – 23.0	372.64.614
650 (640 – 700)	3.0 – 5.0	372.64.621
	5.0 – 10.0	372.64.622
	8.0 – 16.0	372.64.623
	10.5 – 21.5	372.64.624
720 (700 – 780)	3.5 – 5.5	372.64.631
	5.0 – 9.0	372.64.632
	7.0 – 15.0	372.64.633
	9.0 – 20.0	372.64.634
800 (780 – 840)	5.0 – 9.0	372.64.642
	7.0 – 13.0	372.64.643
	9.0 – 17.0	372.64.644
865 (840 – 900)	5.0 – 12.0	372.64.653
	7.5 – 16.0	372.64.654

Packing: 1 set

#### Order reference

Screw-on brackets and adapters for 20 mm aluminium profiles and connecting hinge are not supplied. Please order separately. Special models with 2/3 and 1/3 flap heights possible on request.

### → Senso 3674 Individual component



- Material: Fitting: Plastic, aluminium, cover cap: Plastic
- Finish: Fitting: Silver coloured anodized, cover cap: Grey, similar to RAL 9006
- With soft closing mechanism

#### Supplied with

- 2 Double flap lift up fittings (left/right)
- 1 Set of installation instructions

Flap height mm	Flap weight kg	Cat. No.
550 (540 – 580)	3.0 – 6.5	372.64.901
	6.0 – 12.0	372.64.902
	9.0 – 18.0	372.64.903
	12.0 – 24.5	372.64.904
600 (580 – 640)	3.0 – 6.0	372.64.911
	6.0 – 11.0	372.64.912
	9.0 – 17.0	372.64.913
	12.0 – 23.0	372.64.914
650 (640 – 700)	3.0 – 5.0	372.64.921
	5.0 – 10.0	372.64.922
	8.0 – 16.0	372.64.923
	10.5 – 21.5	372.64.924
720 (700 – 780)	3.5 – 5.5	372.64.931
	5.0 – 9.0	372.64.932
	7.0 – 15.0	372.64.933
	9.0 – 20.0	372.64.934
800 (780 – 840)	5.0 – 9.0	372.64.942
	7.0 – 13.0	372.64.943
	9.0 – 17.0	372.64.944
865 (840 – 900)	5.0 – 12.0	372.64.953
	7.5 – 16.0	372.64.954

Packing: 1 set

#### Order reference

All accessories must be ordered separately.

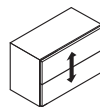
### E-Senso 3686 (electric) Complete set, for two-piece wooden flaps or flaps with aluminium frame



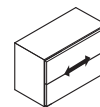
- Electric opening and closing system for flaps
- Programmable push-button sender for opening and closing the flap
- Push-button sender suitable for operating several flap fittings
- Quiet drive and soft closing action
- Operating the flap in case of power failure possible with increased amount of effort
- Flap can be operated without additional power assistance
- Obstacle detection with auto-stop on both sides

- Material: Fitting: Plastic, aluminium, cover cap: Plastic
- Finish: Fitting: Silver coloured anodized, cover cap: Grey, similar to RAL 9006
- Nominal voltage: 18 V
- Input voltage: 100 – 240 V, 50 – 60Hz
- With soft close

#### Adjustment facility

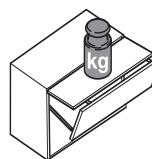


Height adjustment\*

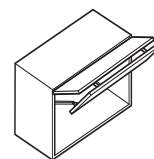


Side adjustment\*

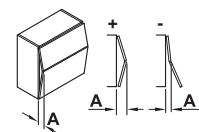
\* depends on the hinges that are used



Holding power adjustment



Opening angle adjustment

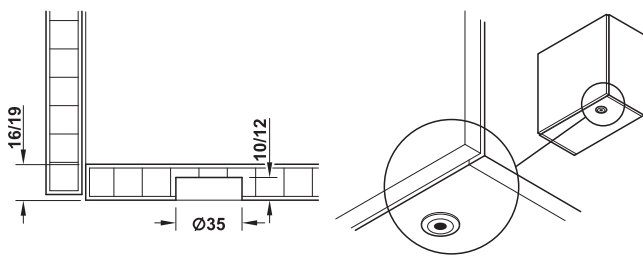


Centre pull adjustment

### E-Senso 3686 (electric) Complete set, for two-piece wooden flaps or flaps with aluminium frame

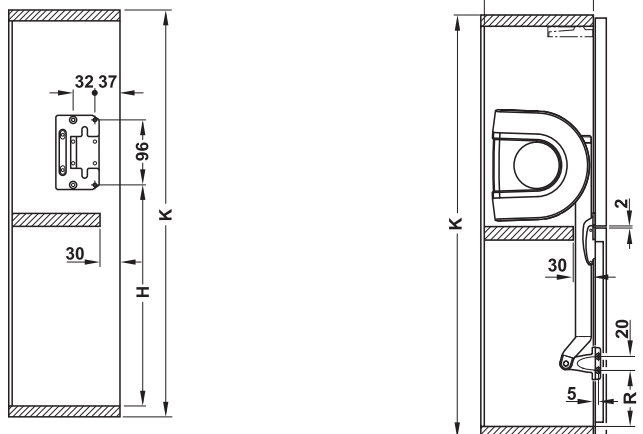
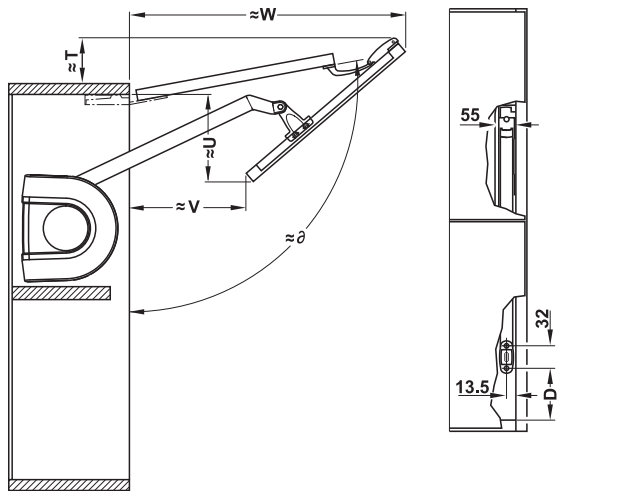


Push-button sender for recess installation in 35 mm cup drilling



The push-button sender can be recess mounted in the furniture.

#### Installation



Installation dimensions

Flap height mm	∅	D	H	R	T	U	V	W
540 – 580	100°	57.5	290	63.5	70	139	192	380
580 – 640	100°	73.5	326	79.5	70	130	170	405
640 – 700	103°	67.5	340	73.5	95	160	220	425
700 – 780	102°	75.5	378	81.5	96	207	261	456
780 – 840	100°	71.5	392	77.5	85	255	260	500
840 – 900	102°	47.5	400	53.5	120	260	315	525

#### Supplied with

- 1 Push-button sender with battery
- 1 Connecting cable (length 2,000 mm) with angled Euro plug/male adapter
- 1 Control unit with female adapter
- 1 Allen key 4 mm
- 2 Fittings with cover caps
- 2 Base plates
- 2 Screw-on brackets for wooden doors and wide aluminium frames
- 2 Connecting cables for drives/control unit
- 4 Screws M5 x 16 mm
- 1 Set of installation and operating instructions

Flap height mm	Flap weight kg	Cat. No.
555 (540 – 580)	2.5 – 6.5	372.64.801
	6.0 – 11.0	372.64.802
	9.5 – 18.0	372.64.803
	13.0 – 22.0	372.64.804
600 (580 – 640)	2.5 – 6.0	372.64.811
	5.5 – 10.0	372.64.812
	7.5 – 17.0	372.64.813
650 (640 – 700)	12.0 – 21.0	372.64.814
	3.0 – 5.5	372.64.821
	5.5 – 9.0	372.64.822
	7.0 – 14.5	372.64.823
720 (700 – 780)	10.5 – 18.5	372.64.824
	3.0 – 5.0	372.64.831
	4.5 – 8.0	372.64.832
800 (780 – 840)	7.0 – 14.0	372.64.833
	9.0 – 16.5	372.64.834
	4.5 – 8.0	372.64.841
865 (840 – 900)	7.0 – 11.0	372.64.842
	9.0 – 14.0	372.64.843
	5.0 – 10.0	372.64.851
	7.0 – 12.0	372.64.852

Packing: 1 set

#### Order reference

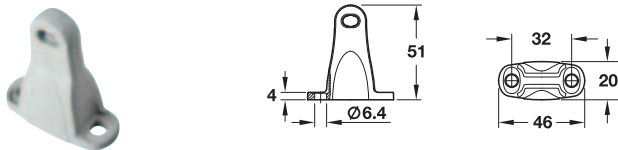
Screw-on brackets and adapters for 20 mm aluminium profiles and connecting hinge are not supplied. Please order separately.



### → Senso 3674 and E-Senso 3686 accessories

#### Screw-on bracket with round hole

For wooden flaps or flaps with aluminium frame, from frame width 45 mm



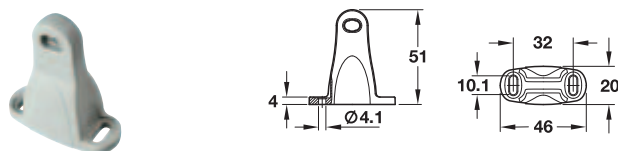
- Area of application: For fixing the lift up fitting
- Material: Plastic

Finish	Cat. No.
Silver coloured, similar to RAL 9006	372.64.990

Packing: 1 or 10 pieces

#### Screw-on bracket with slot

For flaps with aluminium frame, frame width 20 mm



- Area of application: For fixing the lift up fitting
- Material: Plastic

Colour	Cat. No.
Silver coloured, similar to RAL 9006	372.64.991

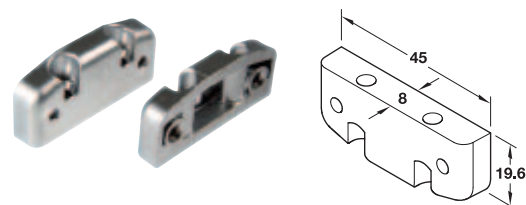
Packing: 1 or 10 pieces

#### Order reference

Please order separately for aluminium frame  
Cat. No. 372.64.995.

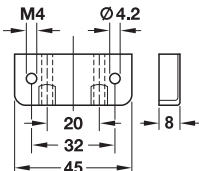
#### Adapter for aluminium profile

For screw fixing to screw-on bracket Cat. No. 372.64.991



- Area of application: For right and left hand use
- Material: Zinc alloy

#### Drilling pattern



Finish	Cat. No.
Nickel plated	372.64.995

Packing: 1 or 10 pieces

#### Order reference

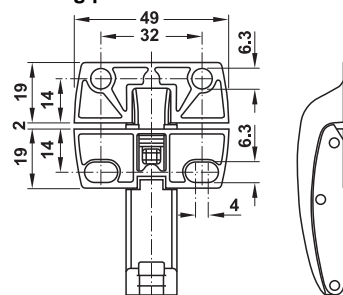
Please order screw-on bracket Cat. No. 372.64.991 separately.

### Connecting hinge

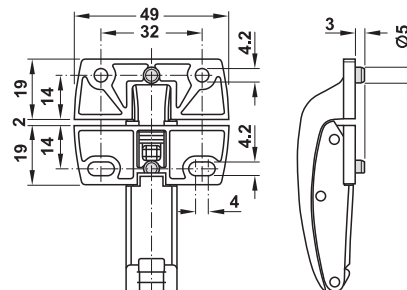


- Area of application: For wooden flaps and flaps with aluminium frame, from frame width 20 mm
- Material: Zinc alloy
- Finish: Nickel plated
- With finger protection guard

#### Drilling pattern



- Mounting with Varianta special screw



- Mounting with chipboard screw and guide pin

Version	Functionality	Installation	Cat. No.
With guide pin	Not adjustable	With Varianta special screw	372.64.795
		With chipboard screws	372.64.790
Without guide pin	Not adjustable	With Varianta special screw	372.64.792
		With chipboard screws	372.64.793
	Adjustable	With Varianta special screw	372.64.794
		With chipboard screws	372.64.791

Packing: 1 or 10 pieces

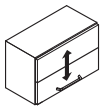
### Fold 3672 Individual component, for two-piece wooden flaps or flaps with aluminium frame



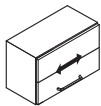
Wooden flap

- Material: Housing and hinged lever: Steel, cover cap: Plastic
- Finish: Housing: Galvanized, hinged lever: Plastic coated, white aluminium, similar to RAL 9006, cover cap: White aluminium, similar to RAL 9006
- Version: Spiral spring
- Installation: For screw fixing
- Mounting: With concealed hinges 120°
- Without soft closing mechanism

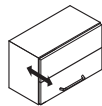
#### Adjustment facility



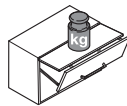
Height adjustment\*



Side adjustment\*



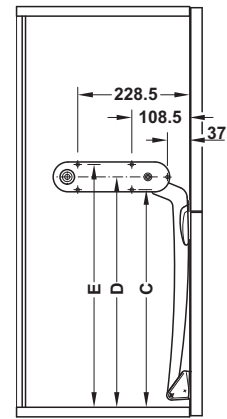
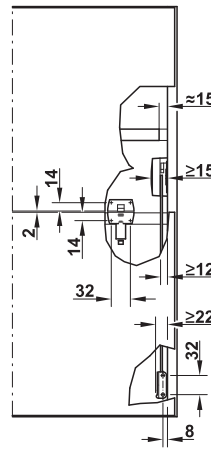
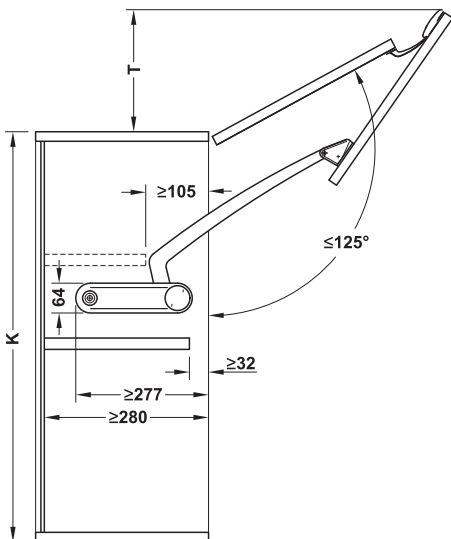
Tilting angle adjustment\*



Holding power adjustment with SW10 Allen key

\* depends on the hinges that are used

#### Installation



#### Note

The double flap lift up fitting can be used on one side up to a cabinet width of 600 mm and a flap weight of 5 kg.

#### Supplied with

- 1 Double flap lift up fitting
- 1 Set of installation instructions

Flap height mm	Flap weight kg	Mounting	White aluminium
600 (590–630)	6.0–6.7	Right	372.64.701
		Left	372.64.702
	6.8–8.1	Right	372.64.703
		Left	372.64.704
	8.2–10.0	Right	372.64.705
		Left	372.64.706
	10.1–13.0	Right	372.64.707
		Left	372.64.708
	13.1–16.0	Right	372.64.709
		Left	372.64.710
720 (700–750)	5.3–6.5	Right	372.64.721
		Left	372.64.722
	6.6–8.7	Right	372.64.723
		Left	372.64.724
	8.8–11.0	Right	372.64.725
		Left	372.64.726
	11.1–13.3	Right	372.64.727
		Left	372.64.728
13.4–14.8	Right	372.64.729	
	Left	372.64.730	
800 (780–840)	5.0–6.1	Right	372.64.741
		Left	372.64.742
	6.2–8.0	Right	372.64.743
		Left	372.64.744
	8.1–10.0	Right	372.64.745
		Left	372.64.746
	10.1–12.5	Right	372.64.747
		Left	372.64.748
12.6–13.5	Right	372.64.749	
	Left	372.64.750	

Packing: 1 or 10 pieces

#### Order reference

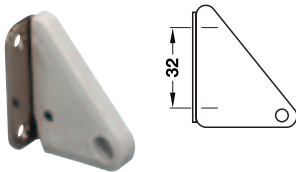
Please order mounting bracket and centre hinge separately.



### → Fold 3672 Accessories

#### Mounting bracket

For wooden flaps or flaps with aluminium frame, from frame width 45 mm

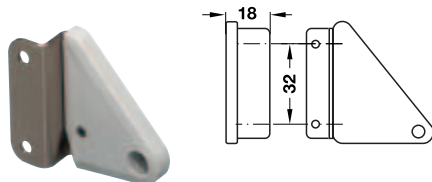


- Area of application: For mounting the double flap lift up fitting to wooden flaps or flaps with aluminium frame, from frame width 45 mm
- Material: Steel, nickel plated, cover cap: Plastic

Mounting	Grey
Right	372.64.771
Left	372.64.772

Packing: 1 or 10 pieces

#### For flaps with aluminium frame, frame width 20 mm



- Area of application: For mounting the double flap lift up fitting to flaps with aluminium frame, frame width 20 mm
- Material: Steel, nickel plated, cover cap: Plastic

Mounting	Grey
Right	372.64.781
Left	372.64.782

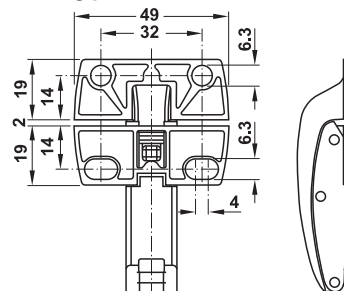
Packing: 1 or 10 pieces

#### Connecting hinge

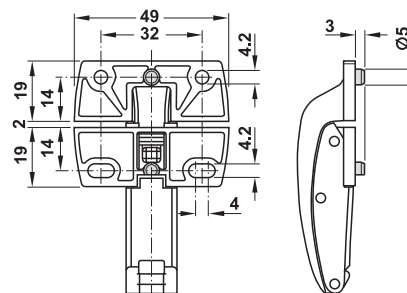


- Area of application: For wooden flaps and flaps with aluminium frame, from frame width 20 mm
- Material: Zinc alloy
- Finish: Nickel plated
- With finger protection guard

#### Drilling pattern



- Mounting with Varianta special screw



- Mounting with chipboard screw and guide pin

Version	Functionality	Installation	Cat. No.
With guide pin	Not adjustable	With Varianta special screw	372.64.795
		With chipboard screws	372.64.790
Without guide pin	Not adjustable	With Varianta special screw	372.64.792
		With chipboard screws	372.64.793
	Adjustable	With Varianta special screw	372.64.794
		With chipboard screws	372.64.791

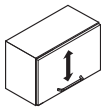
Packing: 1 or 10 pieces

### Free 3677 Complete set, for one-piece wooden flaps or flaps with aluminium frame

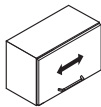


- Area of application: For wooden flaps and flaps with aluminium frame
- Opening angle: 90° or 100°
- Material: Fitting: Steel, cover cap: Plastic
- Finish: Fitting: Nickel plated, cover cap: Grey, RAL 9006
- Installation: Fitting for screw fixing, flap without tools (clip system) onto pre-mounted mounting bracket
- Hinges not required
- Flap locks in any position
- With soft close

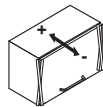
#### Adjustment facility



Height adjustment  
+1/-1.5 mm



Side adjustment  
+1/-1.5 mm

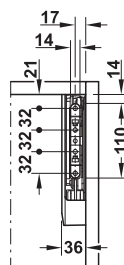
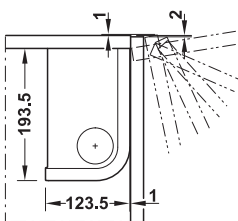


Tilting angle adjustment

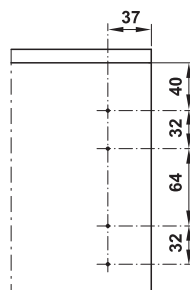


Holding power adjustment

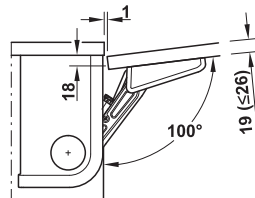
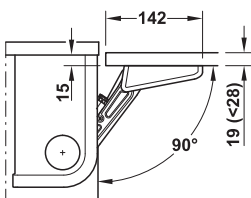
#### Installation



Drilling pattern for front



Drilling pattern for cabinet



#### Sample measurements table for max. flap weight

Model	A	B	C	D	E	F
Flap height mm	Flap weight kg					
up to 250	3.5 – 4.2	4.1 – 8.2	7.0 – 12.0	9.4 – 16.4	–	–
251 – 400	–	3.0 – 5.0	4.4 – 7.6	5.9 – 10.2	8.7 – 14.1	–
401 – 500	–	2.3 – 4.1	3.5 – 6.1	4.7 – 8.2	7.0 – 11.3	10.4 – 14.4
501 – 600	–	–	–	3.9 – 6.8	5.8 – 9.4	8.6 – 12.0
601 – 700	–	–	–	3.3 – 5.8	5.0 – 8.1	7.4 – 10.2

#### Supplied with

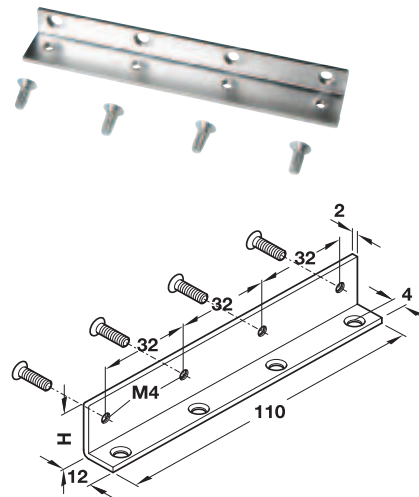
- 2 Stay flap fittings (left/right)
- 2 Cover caps for fitting
- 2 Mounting brackets (left/right)
- 2 Cover caps for mounting brackets
- 1 Set of installation instructions

Model	Opening angle	
	90°	100°
A	372.91.521	372.91.511
B	372.91.522	372.91.512
C	372.91.523	372.91.513
D	372.91.524	372.91.514
E	372.91.525	372.91.515
F	372.91.526	372.91.516

Packing: 1 set

#### → Free 3677 Accessories

##### Mounting bracket for 20 mm aluminium profile



- Area of application: For mounting the double flap lift up fitting to flaps with aluminium frame, frame width 20 mm
- Material: Steel
- Mounting: Suitable for left hand and right hand use

Finish	Side panel thickness mm	Cat. No.
Chrome plated, matt	16	372.91.591
	19	372.91.592

Packing: 1 set

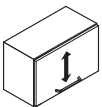
### Maxi Swing Soft 3676 Complete set, for one-piece wooden flaps made or flaps with aluminium frame



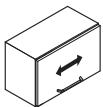
Space requirement above the cabinet only 110 mm

- Area of application: For wooden flaps or flaps with aluminium frame
- Material: Fitting: Zinc alloy, steel, cover cap: Plastic
- Finish: Fitting: Nickel plated, cover cap: Grey, RAL 9006
- Installation: Fitting for screw fixing, position flap, allow to engage and secure with screws
- Hinges and cross bar not required
- Flap locks in any position
- With soft close

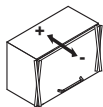
#### Adjustment facility



Height adjustment  
 $\pm 2$  mm



Side adjustment  
 $+3/-1$  mm

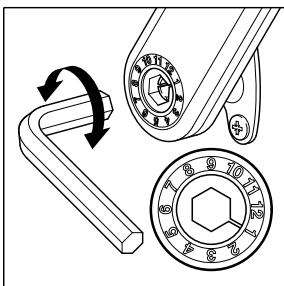


Tilting angle adjustment  
 $\pm 1.5$  mm



Holding force adjustment with SW10 Allen key

#### Adjusting the braking effect

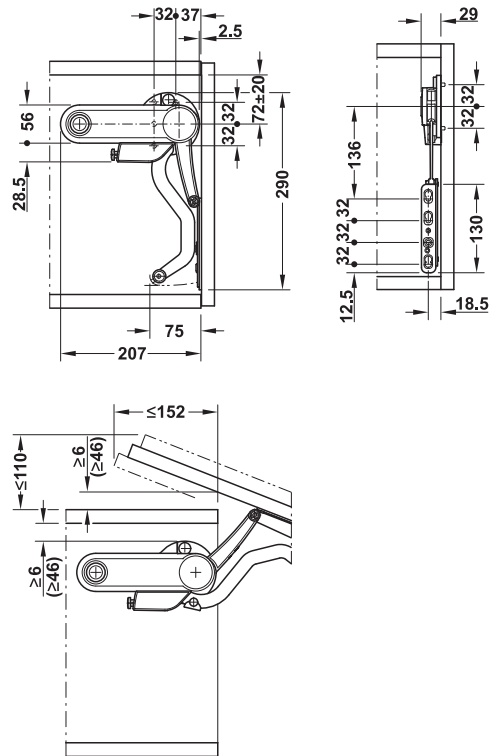


#### Installation reference:

Use numbers 1–8 when adjusting the braking effect with SW10 Allen key.

Use numbers 9–12 only for re-adjusting the flap weight.

#### Installation



#### Sample measurements table for max. flap weight

Model	A	B	C	D
Flap height mm	Flap weight kg			
350	2.0 – 4.0	4.0 – 9.0	–	–
450	2.0 – 4.0	4.0 – 8.0	6.5 – 11.0	–
600	1.9 – 3.4	3.4 – 5.5	5.5 – 9.0	8.0 – 14.0
700	–	3.0 – 4.5	4.5 – 7.5	7.5 – 11.0
800	–	–	4.5 – 7.0	7.0 – 10.0

#### Supplied with

- 2 Swing up front fittings (left/right)
- 2 Cover caps for fitting
- 2 Cover caps for soft closing mechanism
- 1 Set of installation instructions

Model	With soft closing mechanism	Without soft closing mechanism
A	372.92.201	372.92.211
B	372.92.202	372.92.212
C	372.92.203	372.92.213
D	372.92.204	372.92.214

Packing: 1 set

#### → Maxi Swing Soft 3676 Accessories

##### Adapter for 20 mm aluminium profile



- Material: Zinc alloy
- Mounting: Suitable for left hand and right hand use

#### Supplied with

- 2 Adapters (including 12 fixing screws)

Finish	Cat. No.
Nickel plated polished	372.92.290

Packing: 1 set

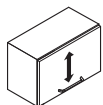
### Verso 3684 Complete set, for one-piece wooden flaps or flaps with aluminium frame



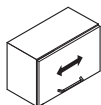
- Material: Fitting: Plastic, aluminium, cover cap: Plastic
- Finish: Fitting: Silver coloured anodized, cover cap: Grey, similar to RAL 9006
- Integrated soft close



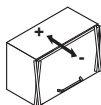
#### Adjustment facility



Height adjustment  
±3 mm



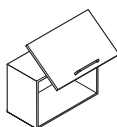
Side adjustment  
± 3 mm



Tilting angle  
adjustment

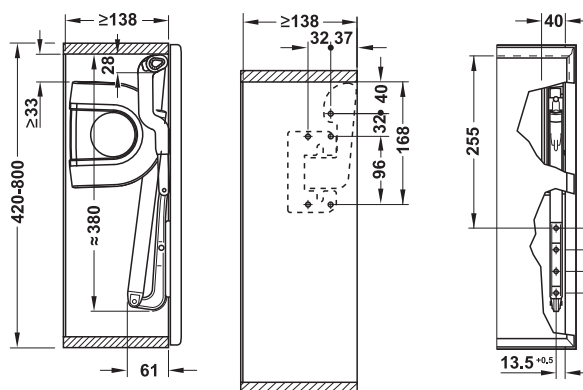
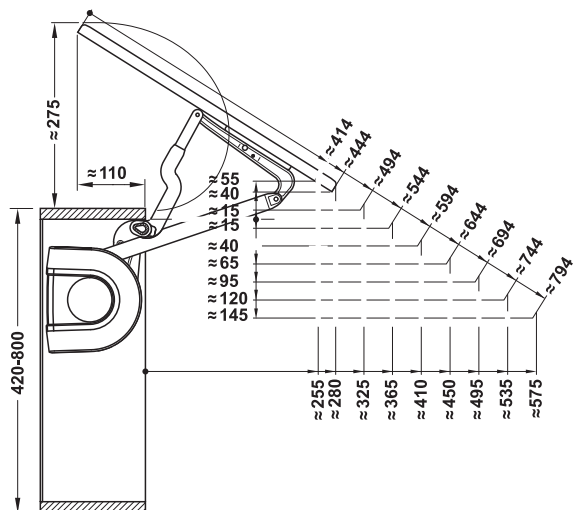


Holding power  
adjustment



Opening angle  
adjustment

#### Installation



Model	A	B	C	D
Flap height mm	Flap weight kg			
420 – 550	2.0 – 4.0	4.0 – 8.0	6.0 – 10.0	8.0 – 17.0
550 – 650	2.0 – 3.5	3.5 – 7.0	6.0 – 10.0	9.0 – 16.0
650 – 800	–	3.0 – 6.5	5.0 – 10.0	9.0 – 15.0

#### Supplied with

- 1 Swing up front fitting
- 2 Cover caps
- 2 Screw-on brackets for wood
- Installation instructions

Model	Cat. No.
A	372.67.901
B	372.67.902
C	372.67.903
D	372.67.904

Packing: 1 set

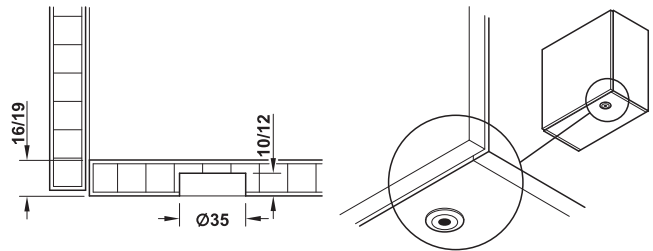
#### Order reference

Please order screw-on brackets for aluminium profile and cross bar separately.  
Screw-on brackets for wood are supplied.

### E-Verso 3687 (electric) Complete set, for one-piece wooden flaps or flaps with aluminium frame



Push-button sender for recess installation in 35 mm cup drilling



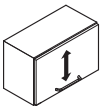
The push-button sender can be recess mounted in the furniture.

#### A

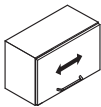
- Electric opening and closing system for flaps
- Programmable push-button sender for opening and closing the flap
- Push-button sender suitable for operating several flap fittings
- Quiet drive and soft closing action
- Operating the flap in case of power failure possible with increased amount of effort
- Flap can be operated without additional power assistance
- Obstacle detection with auto-stop on both sides

- Material: Fitting: Plastic, aluminium, cover cap: Plastic
- Finish: Fitting: Silver coloured anodized, cover cap: Grey, similar to RAL 9006
- Nominal voltage: 18 V
- Input voltage: 100 – 240 V, 50 – 60Hz

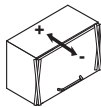
#### Adjustment facility



Height adjustment  
±3 mm



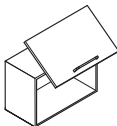
Side adjustment  
± 3 mm



Tilting angle  
adjustment

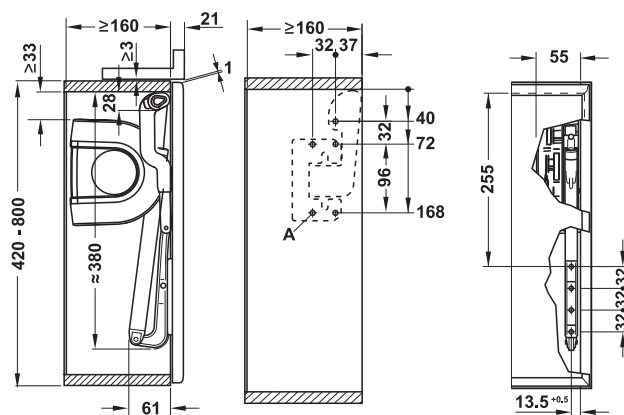
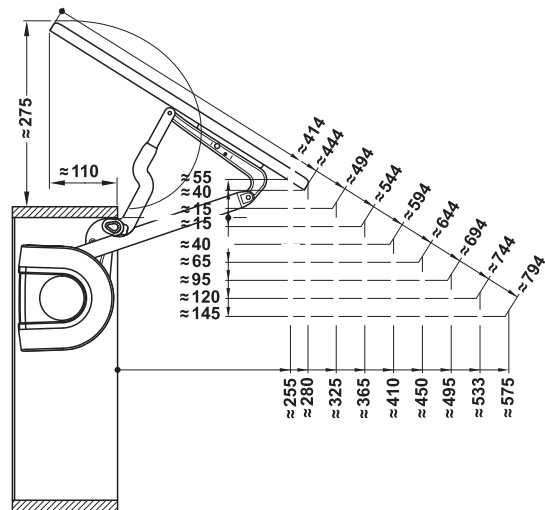


Holding power  
adjustment



Opening angle  
adjustment

#### Installation



### Sample measurements table for max. flap weight

Model	A	B	C	D
Flap height mm	Flap weight kg			
420	2.0 – 5.0	4.0 – 9.0	6.0 – 12.0	10.0 – 18.0
500	2.0 – 4.5	4.0 – 8.0	6.0 – 14.0	8.0 – 16.0
600	2.0 – 4.5	4.0 – 8.0	6.0 – 11.0	8.0 – 15.0
700	–	3.5 – 6.5	6.0 – 10.0	8.5 – 14.0
800	–	3.0 – 5.5	5.0 – 9.5	8.0 – 12.0

### Supplied with

- 1 Push-button sender with battery
- 1 Connecting cable (length 2,000 mm) with angled Euro plug/male adapter
- 1 Control unit with female adapter
- 1 Allen key 4 mm
- 2 Fittings with cover caps
- 2 Base plates
- 2 Screw-on brackets for wooden doors or wide aluminium frames
- 2 Connecting plates left/right
- 2 Adjusting parts
- 2 Cam followers left/right
- 2 Connecting cables for drives/control unit
- 4 Screws M5 x 16 mm
- 1 Set of installation and operating instructions

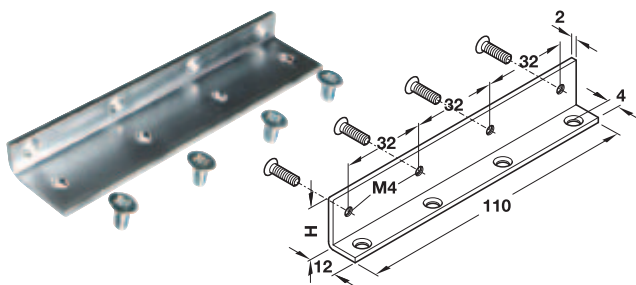
Model	Cat. No.
A	372.67.931
B	372.67.932
C	372.67.933
D	372.67.934

Packing: 1 set

### Order reference

Please order mounting brackets for 20 mm wide aluminium frames and cross bar separately.  
Screw-on brackets for wood are supplied.

→ **Verso 3684 and E-Verso 3687 accessories**  
Mounting brackets for flaps with aluminium frame, frame width 20 mm



- Area of application: For fixing the swing up front fitting to flaps with aluminium frame width 20 mm
- Material: Steel

Finish	Side panel thickness mm	Height H mm	Cat. No.
Chrome plated matt	16	16	372.67.795
	19	19	372.67.796

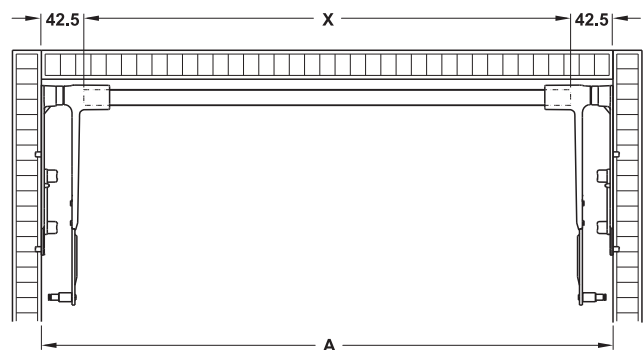
Packing: 1 set

### Cross bar



- Area of application: For connecting both fitting components
- Material: Aluminium
- Finish: Silver coloured anodized
- Cross bar can be cut to size

### Calculation



$$X = A - 2 * 42.5$$

A = internal cabinet dimensions  
X = cutting dimension for cross bar

For flap width mm	Panel thickness W mm	Length mm	Cat. No.
600	16/19	477	372.67.983
900	16/19	777	372.67.985
1200	16/19	1077	372.67.987
1500	16/19	1377	372.67.989
1800	16/19	1677	372.67.990

Packing: 1 piece



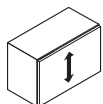
### Strato 3685 Complete set, for one-piece wooden flaps or flaps with aluminium frame



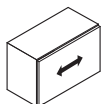
- Material: Fitting: Plastic, aluminium, cover cap: Plastic
- Finish: Fitting: Silver coloured anodized, cover cap: Silver coloured, similar to RAL 9006
- Integrated soft close



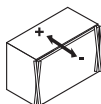
#### Adjustment facility



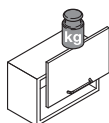
Height adjustment  
±3 mm



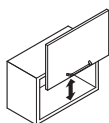
Side adjustment  
±3 mm



Tilting angle  
adjustment

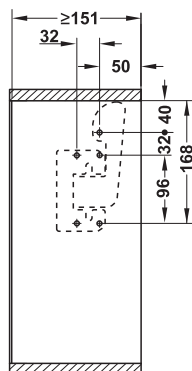
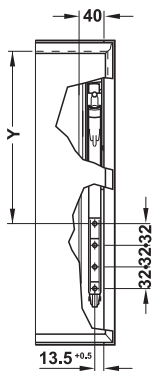


Holding power  
adjustment

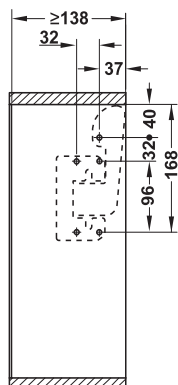


Opening angle  
adjustment

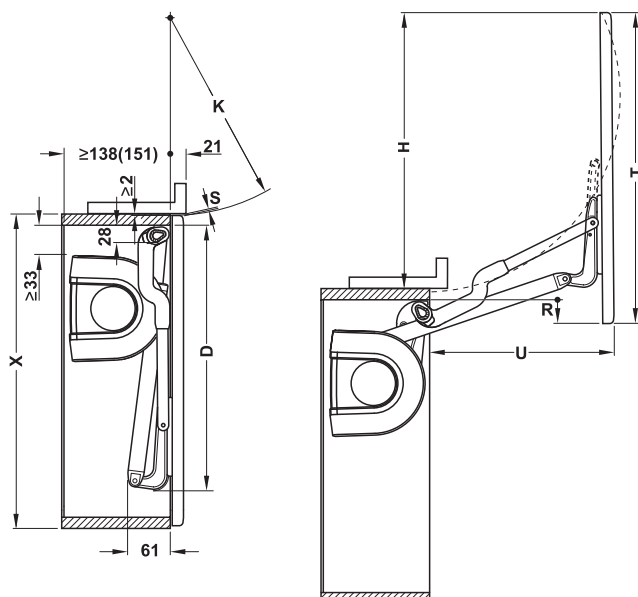
#### Installation



Flap height  
342 – 420 mm



Flap height  
420 – 650 mm



#### Installation dimensions

Flap height mm	X	Y	D ca.	H	K	R ca.	S	T	U ca.
342 – 420	342	186	308	295	205	28	0.8	338	200
	350	186	308	295	205	36	0.8	346	200
	420	186	308	295	205	98	0.8	416	200
420 – 500	420	255	380	395	271	5	1.2	414	265
	450	255	380	395	271	35	1.2	444	265
	500	255	380	395	271	85	1.2	494	265
500 – 550	500	293.5	420	450	312.5	30	1.3	494	295
	550	293.5	420	450	312.5	80	1.3	544	295
550 – 650	550	313.5	440	480	332.5	50	1.3	544	315
	600	313.5	440	480	332.5	100	1.3	594	315
	650	313.5	440	480	332.5	150	1.3	644	315

#### Supplied with

- 1 Parallel lift up front fitting
- 2 Cover caps
- 2 Screw-on brackets for wood
- 1 Set of installation instructions

Flap height mm	Flap weight kg	Cat. No.
342 – 420	1.5 – 4.0	372.68.931
	4.0 – 7.2	372.68.932
	6.5 – 11.5	372.68.933
420 – 500	2.0 – 3.5	372.68.901
	3.5 – 7.0	372.68.902
	6.5 – 11.0	372.68.903
	8.0 – 16.0	372.68.904
500 – 550	3.8 – 10.0	372.68.913
	6.0 – 15.0	372.68.914
550 – 650	3.5 – 10.0	372.68.923
	6.0 – 14.5	372.68.924

Packing: 1 set

#### Order reference

Please order screw-on brackets for aluminium profiles and cross bar separately.  
Screw-on brackets for wood are supplied.

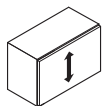
## E-Strato 3688 (electric) Complete set, for one-piece wooden flaps or flaps with aluminium frame



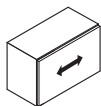
- Electric opening and closing system for flaps
- Programmable push-button sender for opening and closing the flap
- Push-button sender suitable for operating several flap fittings
- Quiet drive and soft closing action
- Operating the flap in case of power failure possible with increased amount of effort
- Flap can be operated without additional power assistance
- Obstacle detection with auto-stop on both sides

- |                    |  |
|--------------------|--|
| • Material:        | Fitting: Plastic, aluminium,<br>cover cap: Plastic                         |
| • Finish:          | Fitting: Silver coloured anodized,<br>cover cap: Grey, similar to RAL 9006 |
| • Nominal voltage: | 18 V   |
| • Input voltage:   | 100 – 240 V, 50 – 60 Hz  |

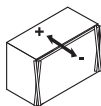
### Adjustment facility



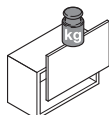
Height adjustment  
±3 mm



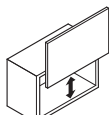
Side adjustment  
±3 mm



Tilting angle  
adjustment



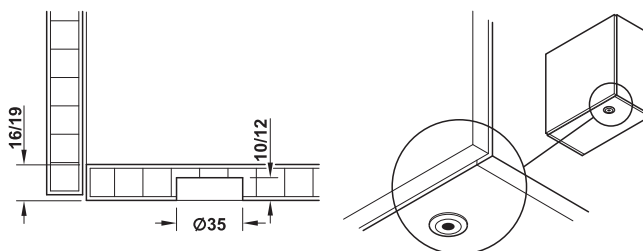
Holding power  
adjustment



Opening angle  
adjustment

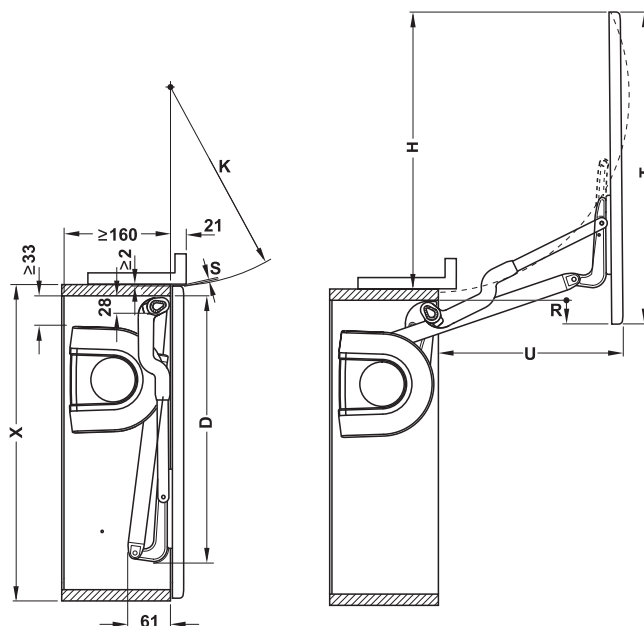
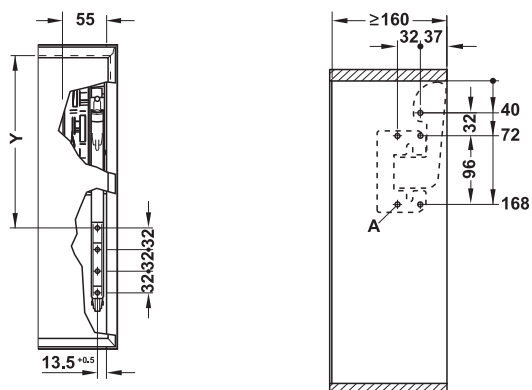


### Push-button sender for recess installation in 35 mm cup drilling



The push-button sender can be recess mounted in the furniture.

### Installation



### Installation dimensions

Flap height mm	X	Y	D ca.	H	K	R ca.	S	T	U ca.
342 – 420	342	186	308	295	205	28	0.8	338	200
	350	186	308	295	205	36	0.8	346	200
	420	186	308	295	205	98	0.8	416	200
420 – 500	420	255	380	395	271	5	1.2	414	265
	450	255	380	395	271	35	1.2	444	265
	500	255	380	395	271	85	1.2	494	265
500 – 550	500	293.5	420	450	312.5	30	1.3	494	295
	550	293.5	420	450	312.5	80	1.3	544	295
550 – 650	550	313.5	440	480	332.5	50	1.3	544	315
	600	313.5	440	480	332.5	100	1.3	594	315
	650	313.5	440	480	332.5	150	1.3	644	315

### Supplied with

- 1 Push-button sender with battery
- 1 Connecting cable (length 2,000 mm) with angled Euro plug/male adapter
- 1 Control unit with female adapter
- 1 Allen key 4 mm
- 2 Fittings with cover caps
- 2 Base plates
- 2 Screw-on brackets for wooden doors and wide aluminium frames
- 2 Connecting plates left/right
- 2 Adjusting parts
- 2 Cam follower left/right
- 2 Connecting cables for drives/control unit
- 4 Screws M5 x 16 mm
- 1 Set of installation and operating instructions

Flap height mm	Flap weight kg	Cat. No.
342 – 420	1.5 – 4.0	372.68.941
	3.5 – 7.0	372.68.942
	6.0 – 10.5	372.68.943
420 – 500	2.0 – 3.5	372.68.951
	3.0 – 7.0	372.68.952
	6.0 – 10.5	372.68.953
	8.0 – 14.0	372.68.954
500 – 550	3.8 – 9.0	372.68.961
	7.0 – 12.0	372.68.962
550 – 650	4.5 – 10.0	372.68.971
	6.0 – 11.0	372.68.972

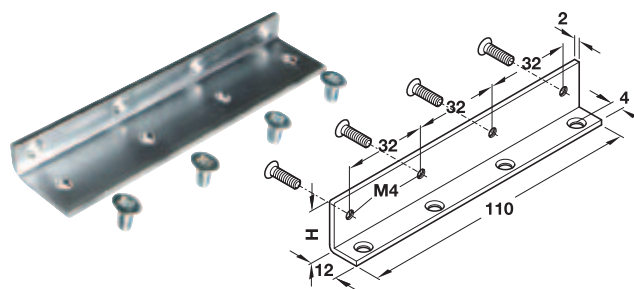
Packing: 1 set

### Order reference

**Please order mounting brackets for 20 mm wide aluminium frames and cross bar separately.**  
**Screw-on brackets for wood are supplied.**

### → Strato 3685 and E-Strato 3688 accessories

#### Mounting brackets for flaps with aluminium frame, frame width 20 mm



- Area of application: For fixing the parallel lift up front fitting to flaps with aluminium frame width 20 mm
- Material: Steel

Finish	Side panel thickness mm	Height H mm	Cat. No.
Chrome plated	16	16	372.67.795
matt	19	19	372.67.796

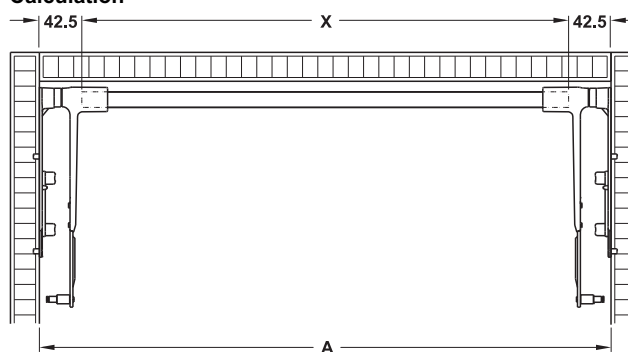
Packing: 1 set

### Cross bar



- Area of application: For connecting both fitting components
- Material: Aluminium
- Finish: Silver coloured anodized
- Cross bar can be cut to size

### Calculation



$$X = A - 2 \cdot 42.5$$

A = internal cabinet dimensions

X = cutting dimension for cross bar

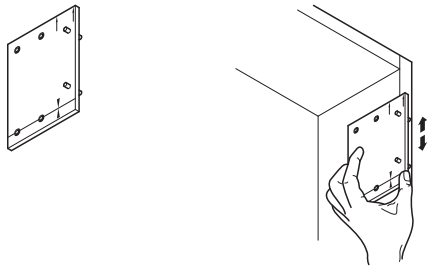
For flap width mm	Panel thickness W mm	Length mm	Cat. No.
600	16/19	477	372.67.983
900	16/19	777	372.67.985
1200	16/19	1077	372.67.987
1500	16/19	1377	372.67.989
1800	16/19	1677	372.67.990

Packing: 1 piece

## Drilling jig for side panel

- Area of application: For pilot drilling the cabinet side panels for the base plate
- Material: Acrylic glass with hardened steel inserts

### → (E-) Senso Drilling jig



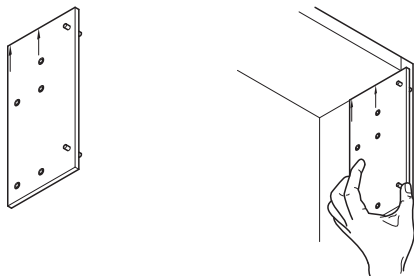
Suitable for	Cat. No.
Model Senso and E-Senso	372.64.891

Packing: 1 piece

#### Note

The corresponding drilling pattern with mounting dimensions can be found on pages 2 and 4.

### → Drilling jig for (E-) Verso, Strato 420 – 650 mm and E- Strato (all models)



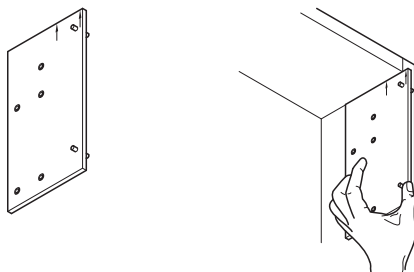
Suitable for	Cat. No.
Model (E-) Verso, Strato 420 – 650 mm and E- Strato (all models)	372.68.990

Packing: 1 piece

#### Note

The corresponding drilling pattern can be found on pages 11, 12 and 13. The drilling jig is positioned directly in the top left or top right cabinet corner.

### → Drilling jig for Strato 342 – 420 mm



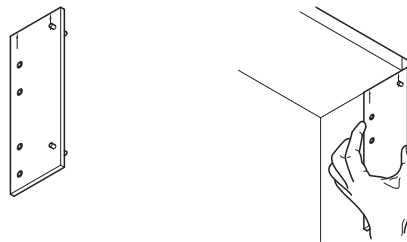
Suitable for	Cat. No.
Model Strato from 342 – 420 mm	372.68.034

Packing: 1 piece

#### Note

The corresponding drilling pattern can be found on page 13. The drilling jig is positioned directly in the top left or top right cabinet corner.

### → Free Drilling jig



Suitable for	Cat. No.
Free Stay flap fitting	372.91.022

Packing: 1 piece

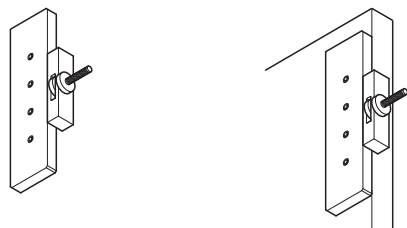
#### Note

The corresponding drilling pattern can be found on page 8. The drilling jig is positioned directly in the top left or top right cabinet corner.

## Drilling jig for front panel fixing

- Area of application: For pilot drilling the screw-on brackets for fixing the front panel

### → Drilling jig for (E-) Senso / (E-) Verso / (E-) Strato screw-on brackets and Free mounting bracket



Suitable for	Material	Cat. No.
Models (E-) Senso, (E-) Verso and (E-) Strato	Acrylic glass with hardened steel inserts	372.64.890

Packing: 1 piece

#### Note

The corresponding drilling pattern with mounting dimensions for Senso can be found on page 2, for Verso on page 11, for Strato on page 13, for Free on page 8.

## Drilling jig for connecting hinges

- Area of application: For pilot drilling the connecting hinges for connecting the front panels

### → Drilling jig for screw holes for connecting hinges with (E-) Senso and Fold



Suitable for	Material	Cat. No.
Models (E-) Senso and Fold	Acrylic glass with hardened steel inserts	372.61.799

Packing: 1 piece

#### Note

The corresponding drilling pattern can be found on pages 4 and 6.

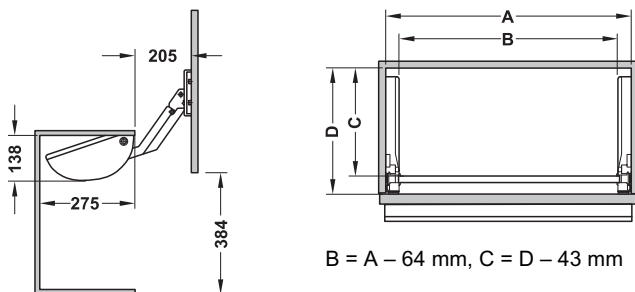
**Ewiva,  
for one-piece wooden flaps or  
flaps with aluminium frame**



Mounting example for concealed installation of built-in kitchen appliances in larder units



Picture shows installed fitting



- Area of application: For concealed installation of built-in appliances such as microwaves or grills in kitchen larder units
- Material: Steel, cover caps and lift mechanism: Plastic
- Finish: Galvanized
- Colour: Cover caps and lift mechanism: Grey
- Internal cabinet height: min. 323 mm
- Version: With soft closing mechanism, prevents impact noise when opening and closing the flap
- Lift: 384 mm (= free access height)

**A**

- With soft opening and closing mechanisms for gentle opening and closing
- Front adjustment without tools
- Safety provided by enclosed hinged levers (finger protection)



→ **Complete fitting set for wooden flaps  
for cabinet width 600 mm**  
With lift mechanism

- Flap weight: For 3.3 – 6.6 kg, including handle
- Material: Cross bar: Steel
- Finish: Galvanized

**Supplied with**

- 1 Set consists of:
  - 1 Cross bar for cabinet width 600 mm (cannot be shortened)
  - 2 Side components
  - 2 Lift mechanisms 3.3 – 6.6 kg
  - 2 Front brackets
  - 2 Cover caps
- 1 Set of installation instructions

For cabinet width mm	Cat. No.
600	372.43.910

Packing: 1 set

→ **Fitting set for wooden flaps  
for cabinet width 900 – 1,500 mm**  
Without lift mechanism

- Material: Cross bar: Aluminium
- Finish: Silver coloured anodized

**Supplied with**

- 1 Set consists of:
  - 1 Cross bar for ordered cabinet width (can be shortened)
  - 2 Side components
  - 2 Front brackets
  - 2 Cover caps
- 1 Set of installation instructions

For cabinet width mm	Panel thickness W mm	Can be shortened to mm	Cat. No.
900	16/19	900 – 600	372.50.921
1200	16/19	1200 – 900	372.50.922
1500	16/19	1500 – 1200	372.50.923

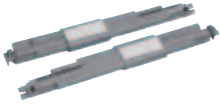
Packing: 1 set

**Order reference**

Please order lift mechanism and adapter for 20 mm wide aluminium frames separately.

### → Lift mechanism

For fitting sets for cabinet widths  
900, 1,200 and 1,500 mm



- Material: Plastic
- Finish: Grey

Flap weight kg	Cat. No.
For 2.5 – 4.8 kg, including handle	372.50.531
For 3.3 – 6.6 kg, including handle	372.50.532
For 5.3 – 8.0 kg, including handle	372.50.533

Packing: 1 set

### → Adapter for aluminium frame

For aluminium frames with 19/20 mm wide frames



- Material: Aluminium
- Finish: Nickel plated matt

	Cat. No.
Adapter	372.50.640

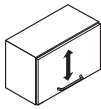
Packing: 1 set



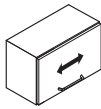
### Maxi 3675, for wooden flaps or flaps with aluminium frame



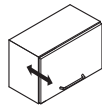
#### Adjustment facility



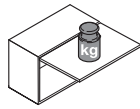
Height adjustment\*



Side adjustment\*



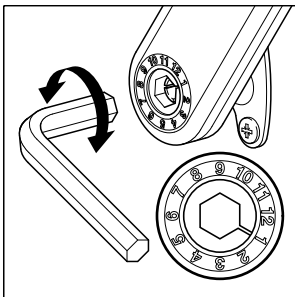
Tilting angle adjustment\*



Holding power adjustment with SW10 Allen key

\* depends on the hinges that are used

#### Adjusting the braking effect

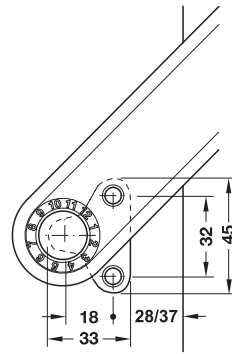


#### Installation reference:

Use numbers 1–8 when adjusting the braking effect with SW10 Allen key.

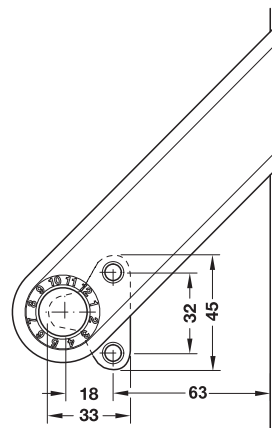
Uses numbers 9–12 for re-adjusting the flap weight.

#### Model variants/mounting options



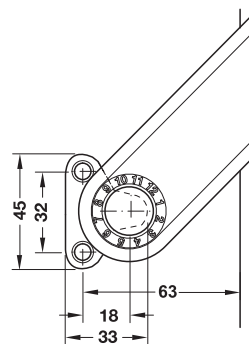
Maxi – edge distance 28/37 mm

- For **one-piece** wooden flaps or flaps with aluminium frame, with handle
- Locks the flap reliably in any position
- With power assisted opening



Maxi Touch opening – edge distance 63 mm

- For **one-piece** wooden flaps or flaps with aluminium frame, without handle
- Locks the flap reliably in any position
- Opening: A gentle push opens the flap slightly.  
Closing: The flap is pushed back into the cabinet.  
Stay closed feature: Magnet in the opening fitting and counterplate on the flap.
- Handle drilling not required



Maxi – edge distance 63 mm  
(screw-on bracket turned by 180°)

- For **one-piece** wooden flaps or flaps with aluminium frame, with handle
- The Maxi fitting can also be used as classical version without "push-to-open" function for specific flap heights and weights by turning the screw-on bracket by 180° (screw-on bracket to the front) in flap direction. This reduces the opening resistance to a minimum.
- Locks the flap reliably in any position
- Trial mounting required

#### Note

Space requirement of installed fitting approx. 26 mm inside the cabinet.

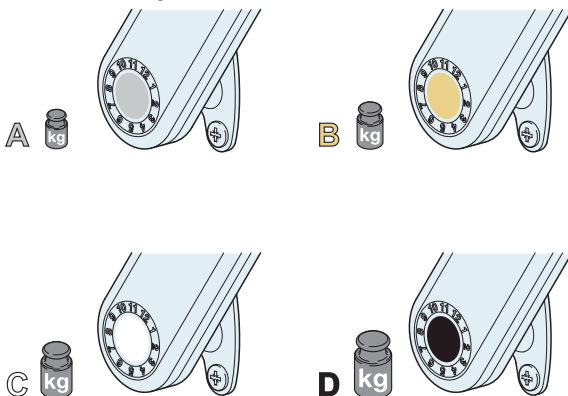
→ **Maxi 3675 Complete set,  
for wooden flaps or  
flaps with aluminium frame**



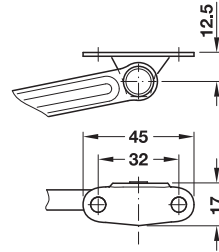
- Opening angle: 75°, 90° or 110°
- Material: Stay: Zinc alloy, mounting bracket and screw-on bracket: Steel, safety cap for adjusting screw: Plastic
- Finish: Nickel plated, safety cap: Grey
- Colour: Adjusting screw model A: Grey, adjusting screw model B: Beige, adjusting screw model C: White, adjusting screw model D: Black
- Version: With power assisted opening
- Mounting: Suitable for left hand and right hand use
- Installation: Without tools (CLIP mounting system) onto pre-mounted mounting bracket
- Distance from edge: 28 or 37 mm (optional)

### Note

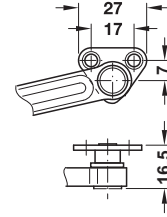
Colour code overview (adjusting screw) of the different weight models



### Construction dimensions



Angular bracket for mounting to wooden flaps



Screw-on bracket for mounting to aluminium frames

### Supplied with

- 1 Lid stay
- 1 Mounting bracket for cabinet, edge distance 28 or 37 mm
- 1 Mounting bracket for wooden flap (wide aluminium frame) or for 20 mm aluminium frame
- 1 Set of installation instructions

Model	Distance from edge mm	Cat. No.
<b>For wooden flaps and flaps with aluminium frame, from frame width 45 mm</b>		
A	28	373.69.511
	37	373.69.512
B	28	373.69.411
	37	373.69.412
C	28	373.69.711
	37	373.69.712
D	28	373.69.311
	37	373.69.312
<b>For flaps with aluminium frame with frame width 20 mm</b>		
A	28	373.69.501
	37	373.69.502
B	28	373.69.401
	37	373.69.402
C	28	373.69.701
	37	373.69.702
D	28	373.69.301
	37	373.69.302

Packing: 1 or 10 pieces

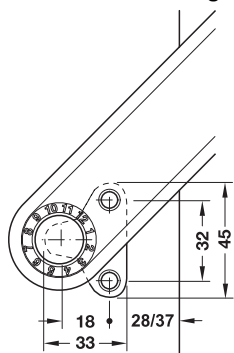
### Order reference

Use two Maxi fittings for flap widths from 600 mm and above.

## → Maxi 3675, for wooden flaps or flaps with aluminium frame

Choice of Maxi – edge distance 28/37 mm

- Locks the flap reliably in any position
- With power assisted opening

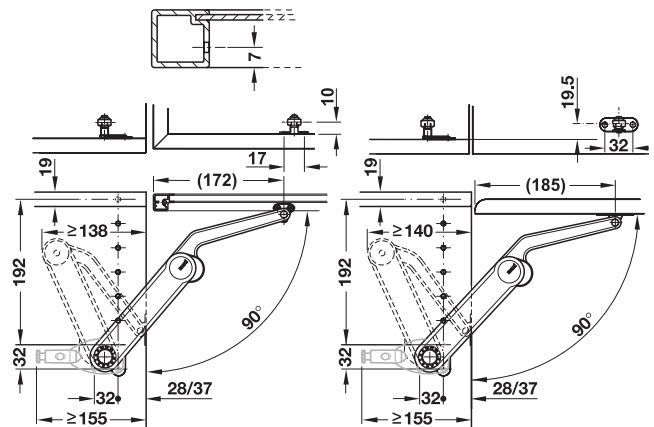


Maxi 3675 complete set on page 20

### Order reference

- The weight specification applies to one Maxi fitting
- Use two Maxi fittings for flap widths from 600 mm and above

### With opening angle 90°

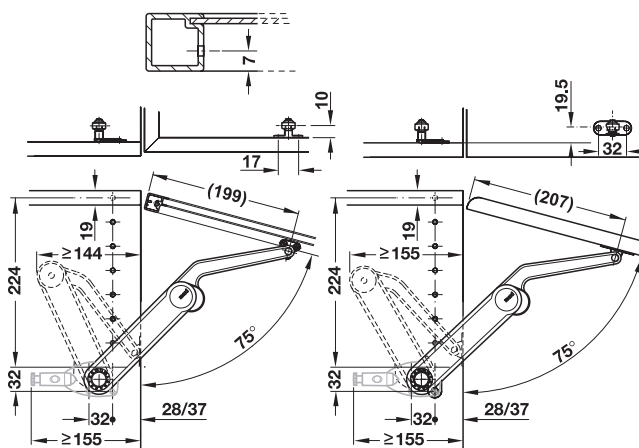


Flap with 20 mm aluminium frame

Wooden flap

Model	A	B	C	D
Flap height	Flap weight kg			
300 mm	3.0 – 5.3	5.1 – 10.2	9.1 – 15.8	11.9 – 20.8
400 mm	2.3 – 4.0	3.8 – 7.6	6.9 – 11.9	8.9 – 15.6
500 mm	1.8 – 3.2	3.1 – 6.1	5.5 – 9.6	7.2 – 12.5
600 mm	1.5 – 2.7	2.6 – 5.1	4.6 – 7.9	6.0 – 10.4
700 mm	1.3 – 2.2	2.1 – 4.2	3.8 – 6.6	4.9 – 8.7
800 mm	1.1 – 2.0	1.9 – 3.9	3.4 – 5.9	4.4 – 7.8
900 mm	1.0 – 1.8	1.7 – 3.4	3.0 – 5.2	3.9 – 6.9
1000 mm	0.9 – 1.6	1.5 – 3.0	2.7 – 4.7	3.6 – 6.2

### With opening angle 75°

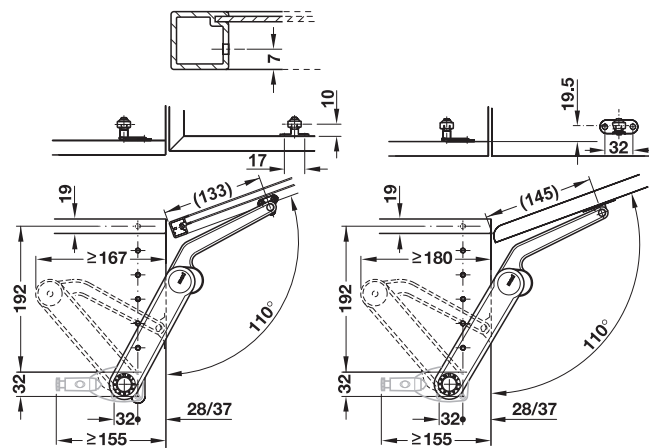


Flap with 20 mm aluminium frame

Wooden flap

Model	A	B	C	D
Flap height	Flap weight kg			
300 mm	3.8 – 7.1	6.7 – 13.7	11.9 – 21.0	15.4 – 27.3
400 mm	2.8 – 5.3	5.0 – 10.3	8.9 – 15.8	11.6 – 20.5
500 mm	2.3 – 4.3	4.1 – 8.3	7.2 – 12.5	9.4 – 16.2
600 mm	1.9 – 3.5	3.3 – 7.0	5.9 – 10.6	7.6 – 13.7
700 mm	1.6 – 3.0	2.8 – 5.7	5.0 – 8.8	6.5 – 11.4
800 mm	1.4 – 2.7	2.5 – 5.1	4.4 – 7.9	5.7 – 10.4
900 mm	1.3 – 2.4	2.2 – 4.6	4.0 – 7.0	5.2 – 9.1
1000 mm	1.1 – 2.1	2.0 – 4.1	3.6 – 6.3	4.6 – 8.2

### With opening angle 110°



Flap with 20 mm aluminium frame

Wooden flap

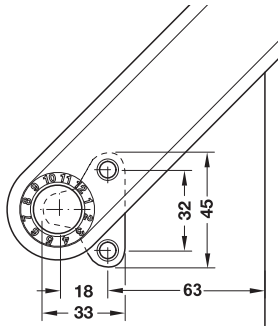
Model	A	B	C	D
Flap height	Flap weight kg			
300 mm	2.4 – 4.0	3.9 – 7.5	6.8 – 11.6	9.2 – 15.0
400 mm	1.8 – 3.0	2.9 – 5.6	5.1 – 8.7	6.9 – 11.2
500 mm	1.4 – 2.4	2.4 – 4.5	4.0 – 7.1	5.7 – 9.0
600 mm	1.2 – 2.0	1.9 – 3.8	3.3 – 5.9	4.5 – 7.6
700 mm	1.0 – 1.7	1.7 – 3.1	2.9 – 4.8	3.8 – 6.2
800 mm	0.9 – 1.4	1.4 – 2.8	2.6 – 4.3	3.4 – 5.6
900 mm	0.8 – 1.3	1.3 – 2.5	2.3 – 3.8	3.0 – 5.0
1000 mm	0.7 – 1.2	1.1 – 2.2	2.0 – 3.5	2.7 – 4.5

732.02.361; HDE-en, 04/11; Dimensional data not binding. We reserve the right to alter specifications without notice.

→ **Maxi Touch opening 3675, for flaps without handle, for one-piece wooden flaps or flaps with aluminium frame**  
With door opening system with mechanical opening aid



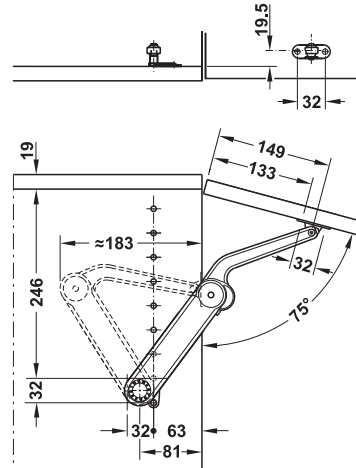
**Choice of Maxi Touch opening, edge distance 63 mm**



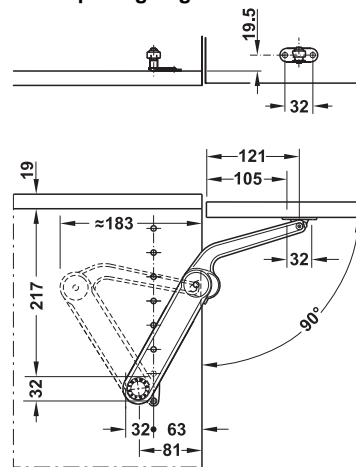
- Locks the flap reliably in any position and lets it gently slide downwards
- Opening: A gentle push opens the flap slightly.  
Closing: The flap is pushed back into the cabinet.
- Stay closed feature: Magnet in the opening fitting and counterplate on the flap.
- Handle drilling not required

	Model	A	B	C	D
	Flap height	Flap weight kg			
75°	300 mm	2.0 – 3.8	4.0 – 7.7	7.0 – 14.0	–
	400 mm	1.6 – 3.1	3.0 – 6.3	5.0 – 11.5	7.0 – 12.5
	500 mm	1.3 – 2.5	2.7 – 5.2	4.7 – 8.4	5.5 – 10.5
	600 mm	–	2.4 – 4.5	4.3 – 7.8	4.7 – 8.4
	700 mm	–	2.2 – 4.0	4.0 – 7.5	4.3 – 8.0
	800 mm	–	–	3.6 – 6.2	3.9 – 7.3
	900 mm	–	–	3.4 – 5.8	3.5 – 6.7
	90°	300 mm	2.0 – 3.5	3.3 – 6.7	6.0 – 10.3
400 mm		1.5 – 2.6	2.5 – 5.0	5.5 – 7.8	5.8 – 10.2
500 mm		1.2 – 2.1	2.0 – 4.0	3.6 – 6.3	4.7 – 8.2
600 mm		1.0 – 1.8	1.7 – 3.3	3.0 – 5.2	3.9 – 6.8
700 mm		0.9 – 1.4	1.4 – 2.7	2.5 – 4.3	3.2 – 5.7
800 mm		0.7 – 1.3	1.2 – 2.6	2.2 – 3.9	2.9 – 5.1
900 mm		0.7 – 1.2	1.1 – 2.2	2.0 – 3.4	2.6 – 4.5
1000 mm		0.6 – 1.0	1.0 – 2.0	1.8 – 3.1	2.4 – 4.1
110°	300 mm	1.2 – 2.9	2.6 – 5.5	4.6 – 9.5	–
	400 mm	0.9 – 2.2	2.0 – 4.4	3.8 – 7.0	4.6 – 8.7
	500 mm	0.7 – 1.8	1.7 – 3.4	3.1 – 5.8	3.7 – 6.5
	600 mm	–	1.4 – 3.0	2.6 – 4.7	3.1 – 5.8
	700 mm	–	–	2.3 – 4.1	2.8 – 4.5
	800 mm	–	–	2.0 – 3.8	2.4 – 4.1
	900 mm	–	–	–	2.1 – 3.9
	1000 mm	–	–	–	1.8 – 3.7

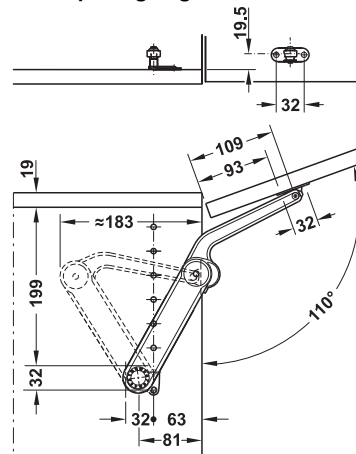
**With opening angle 75°**



**With opening angle 90°**



**With opening angle 110°**



**Order reference**

The Maxi Touch opening fitting consists of Maxi 3675 lid stays, mounting brackets and magnetic door catches.

The weight specification applies to one Maxi fitting. Order two Maxi fittings for flap widths from 600 mm and above.

Maxi 3675 lid stay

► Page 25

Accessories

► Page 23 and 25



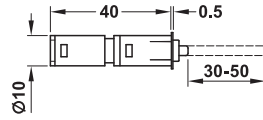
**A**

For flaps without handles (Touch opening) following are required:

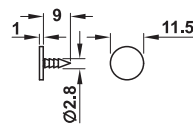
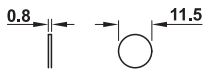
- Maxi 3675 individual component + mounting brackets (page 25)

**Accessories for Maxi Touch opening 3675**

**Push Magnetic door catch, for mounting in drilled hole**



The flap throw depends on the flap weight



With counterplate for glue fixing    With counterplate for knocking in

- Version: With magnet for holding in closed position
- Material: Plastic
- Colour: Beige
- Mounting: For mounting in drilled hole in cabinet base panel

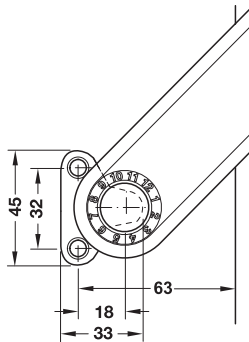
Installation	Cat. No.
Counterplate for knocking in	356.06.401
Counterplate for glue fixing	356.06.402

Packing: 1 or 50 pieces

→ **Maxi 3675 for flaps with furniture handle, edge distance 63 mm (screw-on bracket turned by 180°), for one-piece wooden flaps or flaps with aluminium frame**



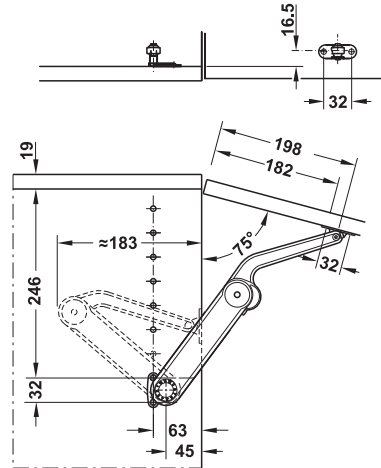
### Choice of Maxi, edge distance 63 mm



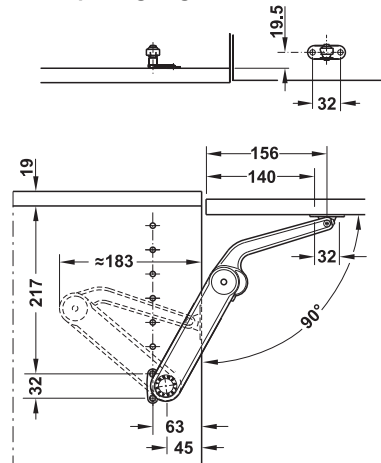
- The Maxi fitting can also be used as classical version without "push-to-open" function for specific flap heights and weights by turning the screw-on bracket by 180° (screw-on bracket to the front) in flap direction. This reduces the opening resistance to a minimum.
- Locks the flap reliably in any position and lets it gently slide downwards
- Soft close
- Trial mounting required

	Model	A	B	C	D
	Flap height	Flap weight kg			
75°	400 mm	2,2 – 4,0	4,3 – 8,2	7,1 – 14,0	–
	500 mm	1,8 – 3,2	3,4 – 7,0	6,4 – 11,5	6,8 – 13,4
	600 mm	1,6 – 3,0	2,9 – 5,5	5,1 – 10,0	6,4 – 11,2
	700 mm	1,4 – 2,8	2,6 – 5,1	4,9 – 9,1	5,3 – 10,2
	800 mm	–	2,4 – 4,6	4,0 – 7,4	4,9 – 9,0
	900 mm	–	2,2 – 4,4	3,8 – 7,0	4,7 – 8,2
	1,000 mm	–	2,0 – 4,2	3,5 – 6,7	4,4 – 7,6
90°	300 mm	2,7 – 5,1	5,0 – 8,5	8,0 – 12,0	9,0 – 15,0
	400 mm	2,1 – 3,5	4,5 – 6,7	5,8 – 11,2	7,2 – 13,5
	500 mm	1,6 – 2,6	3,5 – 5,5	4,5 – 8,8	6,0 – 11,0
	600 mm	1,3 – 2,2	2,7 – 4,3	3,9 – 7,7	4,8 – 8,5
	700 mm	1,2 – 2,0	2,5 – 3,7	3,2 – 6,4	4,2 – 7,6
	800 mm	–	2,4 – 3,4	3,0 – 5,4	3,5 – 6,7
	900 mm	–	–	2,7 – 5,2	3,0 – 6,0
	1,000 mm	–	–	–	2,7 – 5,5
110°	300 mm	1,4 – 3,2	3,1 – 5,9	5,4 – 10,0	–
	400 mm	1,2 – 2,5	3,0 – 5,0	4,2 – 8,1	4,8 – 9,0
	500 mm	0,9 – 2,0	2,2 – 3,8	3,2 – 6,3	2,8 – 7,5
	600 mm	0,7 – 1,5	1,9 – 3,5	2,7 – 6,0	3,5 – 6,8
	700 mm	–	1,7 – 2,7	2,5 – 4,5	3,0 – 5,2
	800 mm	–	–	2,2 – 3,6	2,6 – 4,7
	900 mm	–	–	–	2,3 – 4,3
	1,000 mm	–	–	–	2,0 – 4,0

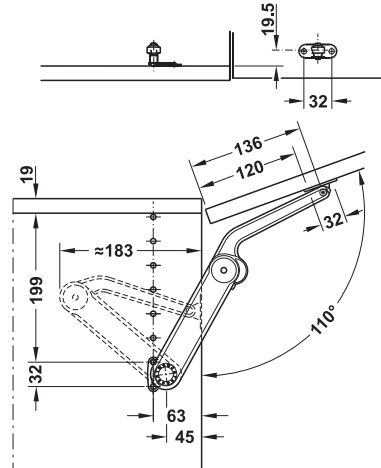
### With opening angle 75°



### With opening angle 90°



### With opening angle 110°



### Order reference

The Maxi fitting consists of Maxi 3675 lid stays, screw-on brackets and mounting brackets.

The weight specification applies to one Maxi fitting.

Order two Maxi fittings for flap widths from 600 mm and above.



### → Maxi 3675 Lid stay, individual component for Maxi and Maxi Touch opening 3675



- Opening angle: 75°, 90° or 110°
- Material: Stay: Zinc alloy, mounting bracket and screw-on bracket: Steel, safety cap for adjusting screw: Plastic
- Finish: Nickel plated, safety cap: Grey,
- Colour: Adjusting screw model A: Grey, adjusting screw model B: Beige, adjusting screw model C: White, adjusting screw model D: Black
- Version: With power assisted opening
- Mounting: Suitable for left hand and right hand use
- Installation: Without tools (CLIP mounting system) onto pre-mounted mounting bracket
- Distance from edge: 28 or 37 mm (optional)

#### Supplied with

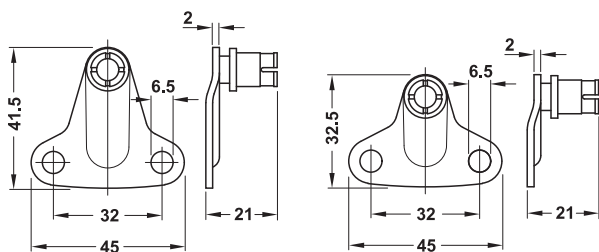
1 Lid stay  
Installation instructions

Model	Colour	Cat. No.
A	Grey	373.69.902
B	Beige	373.69.900
C	White	373.69.901
D	Black	373.69.903

Packing: 1 or 10 pieces

### → Accessories for Maxi and Maxi Touch opening 3675

#### Fixing bracket for cabinet



Edge distance 28 mm

Edge distance 37 mm

- Area of application: For mounting the lid stay to the cabinet
- Material: Steel
- Finish: Nickel plated

	Cat. No.
For edge distance (cabinet) 37 or 63 mm	373.69.906
For edge distance (cabinet) 28 mm	373.69.907

Packing: 1 piece

#### Screw-on bracket for flap



For wooden flaps or flaps with aluminium frame, from frame width 45 mm

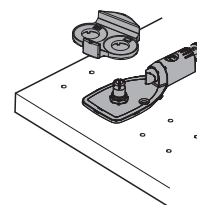
For flaps with aluminium frame 20 mm

- Area of application: For mounting the lid stay to the flap
- Material: Steel
- Finish: Nickel plated

Installation	Cat. No.
<b>For wooden flaps or flaps with aluminium frame, from frame width 45 mm</b>	
For Varianta special screw	373.66.036
For chipboard screws	373.66.681
With slide-on clip (for quick fixing), for Varianta special screw	373.69.908
With slide-on clip (for quick fixing), for chipboard screws	373.69.912
<b>For flaps with aluminium frame 20 mm</b>	
With slide-on clip (for quick fixing)	373.69.909
Without slide-on clip	373.69.905

Packing: 1 piece

#### Soft closing mechanism



- Area of application: For edge distances 28 and 37 mm
- Material: Zinc alloy

Finish	Cat. No.
Nickel plated	373.69.799

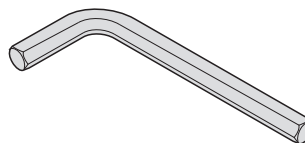
Packing: 1 or 10 pieces

#### Note

The fixing bracket for the cabinet is not required when using the soft closing mechanism.

#### Allen key, L shape

- Material: Steel



Spanner size mm	Finish	Cat. No.
10	Black	008.28.100

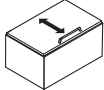
Packing: 1 piece

## Maxi up 3675 Individual component, chest fitting for wooden lids or lids with aluminium frame

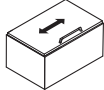


- Area of application: For wooden lids on chests
- Opening angle: approx. 75°
- Material: Stay: Zinc alloy, mounting bracket and screw-on bracket: Steel, safety cap for adjusting screw: Plastic
- Finish: Nickel plated, safety cap: Grey,
- Colour: Adjusting screw model F: Blue, adjusting screw model G: Brown, adjusting screw model H: Black
- Installation: Without tools (CLIP mounting system) onto pre-mounted mounting bracket

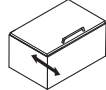
### Adjustment facility



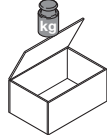
Height adjustment\*



Side adjustment\*



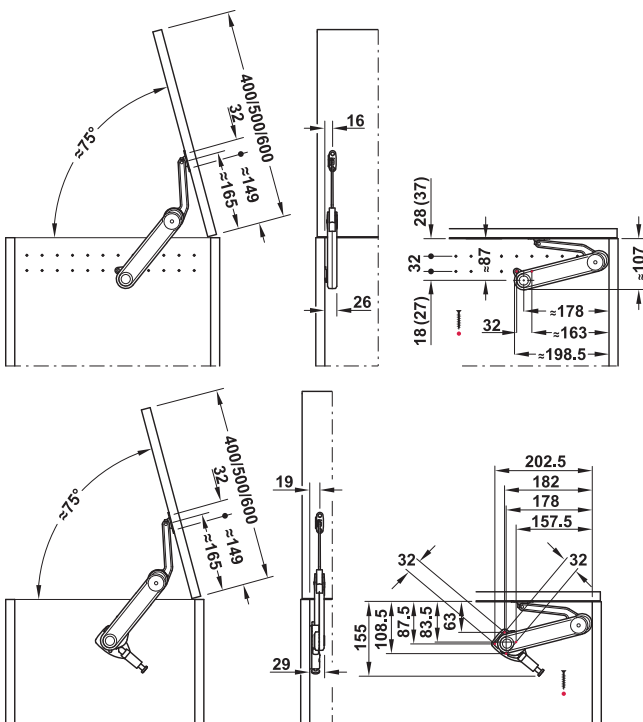
Tilting angle adjustment\*



Pull adjustment

\* depends on the hinges that are used

### Installation



### Sample measurements table for max. flap weight

Model	F	G	H
Flap height mm	Flap weight kg		
<b>1 Flap fitting</b>			
400	1.6 – 3.1	3.0 – 5.3	5.2 – 9.4
500	1.3 – 2.6	2.5 – 4.2	4.3 – 7.5
600	1.1 – 2.5	2.3 – 4.2	4.0 – 6.7
<b>2 Flap fittings</b>			
400	3.2 – 6.2	6.6 – 10.6	10.4 – 18.8
500	2.6 – 5.2	5.0 – 8.4	8.6 – 15.0
600	2.2 – 5.0	4.6 – 8.4	8.0 – 13.4

Model	Cat. No.
F	373.85.700
G	373.85.701
H	373.85.702

Packing: 1 piece

### Order reference

**Mounting brackets and screw-on brackets are not supplied.**

**Please order separately.**

**Soft close available for the lid (optional).**

Soft closing mechanism

► Page 25

### → Accessories for Maxi up 3675

#### Fixing bracket for cabinet



- Area of application: For mounting the chest fitting to the chest
- Material: Steel
- Finish: Nickel plated

	Cat. No.
For edge distance (chest) 37 or 63 mm	373.69.906
For edge distance (chest) 28 mm	373.69.907

Packing: 1 piece

#### Screw-on bracket for lid



For wooden lids or lids with aluminium frame, from frame width 45 mm

For lids with aluminium frame 20 mm

- Area of application: For mounting the chest fitting to the lid
- Material: Steel
- Finish: Nickel plated

Installation	Cat. No.
<b>For wooden lids or lids with aluminium frame, from frame width 45 mm</b>	
For Varianta special screw	373.66.036
For chipboard screws	373.66.681
With slide-on clip (for quick fixing), for Varianta special screw	373.69.908
With slide-on clip (for quick fixing), for chipboard screws	373.69.912
<b>For lids with aluminium frame 20 mm</b>	
With slide-on clip (for quick fixing)	373.69.909
Without slide-on clip	373.69.905

Packing: 1 piece

## Duo 3667/Duo forte 3666 Complete set, for wooden flaps or flaps with aluminium frame

Holding power adjustable



Use as lid stay with wooden flap



Use as lid stay with flap with aluminium frame

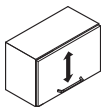


Use as flap stay with wooden flap

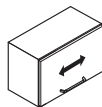


- Area of application: Also suitable for use as flap stay
- Opening angle: 75°, 90° or 110°
- Material: Stay: Zinc alloy, mounting bracket: Steel
- Finish: Nickel plated
- Version: With self closing function
- Mounting: For left and right hand use
- Installation: Without tools (clip system)
- Distance from edge: 28 mm or 37 mm (optional)
- Lock function: Flap locks in any position, braking function: Flap locks in end position release by slight pressure

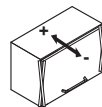
### Adjustment facility



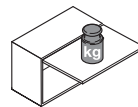
Height adjustment\*



Side adjustment\*



Tilting angle adjustment\*

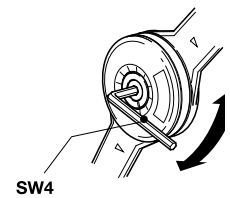


Pull adjustment

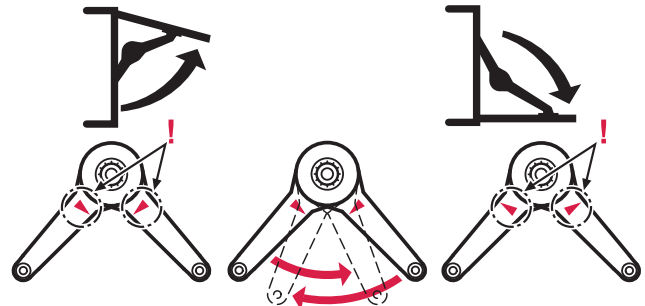
\* depends on the hinges that are used

### Function

Setting the braking effect to locking and braking by adjusting the screw with a SW4 hexagon socket



Duo 3667/Duo forte 3666 can also be used as **flap stays**.



Use as lid stay

Use as flap stay

**Only by adjusting the fitting**

### Note on Duo/Duo forte

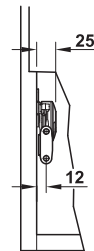
Supplied as lid stay with pre-set flap weight of 4 kg

**Always use two Duo forte 3666/Duo forte 3667 when used as flap stay**

### Installation reference

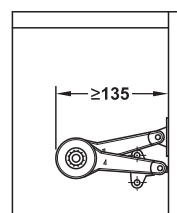
#### Width

Duo/Duo forte in closed position

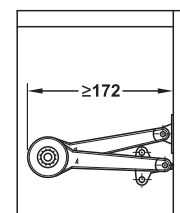


#### Minimum installation depth

Duo



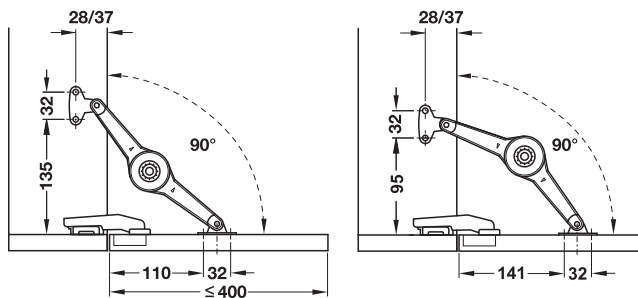
Duo forte



## → Duo 3667 Complete Set



### Duo 3667 Installation as flap stay



Mounting with magnet

Mounting without magnet

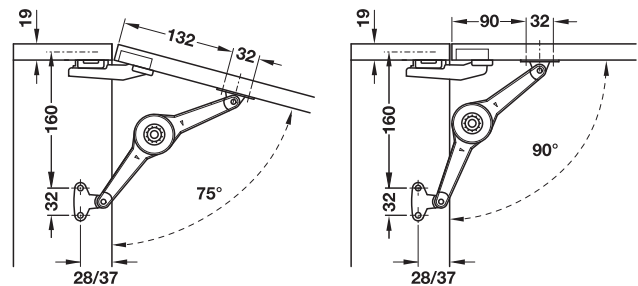
### Sample measurements table for max. flap weight

Flap height mm	max. flap weight kg			
	Lock function		Braking function	
	1 Stay	2 Stays	1 Stay	2 Stays
<b>For opening angle 90°</b>				
200	7.5	15.0	9.5	15.0
250	6.0	12.0	7.5	15.0
300	5.0	10.0	6.0	13.0
350	4.0	8.5	5.5	11.0
400	3.5	7.0	5.0	10.0

### Supplied with

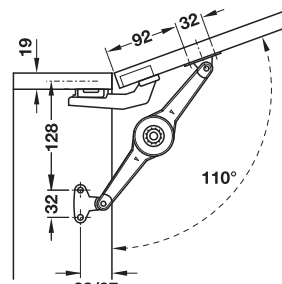
- 1 Lid stay
- 1 Mounting bracket
- 1 Screw-on bracket
- Installation instructions

### Duo 3667 Installation as lid stay



Opening angle 75°

Opening angle 90°



Opening angle 110°

### Sample measurements table for max. flap weight

Flap height mm	max. flap weight kg			
	Lock function		Braking function	
	1 Stay	2 Stays	1 Stay	2 Stays
<b>For opening angle 75°</b>				
200	9.0	15.0	11.5	15.0
250	7.0	15.0	9.0	15.0
300	6.0	12.0	7.5	15.0
350	5.0	10.0	6.5	13.0
400	4.5	9.0	6.0	11.5
450	4.0	8.0	5.0	10.0
500	3.5	7.0	4.5	9.0
<b>For opening angle 90°</b>				
200	7.5	15.0	9.5	15.0
250	6.0	12.0	7.5	15.0
300	5.0	10.0	6.0	13.0
350	4.0	8.5	5.5	11.0
400	3.5	7.0	5.0	10.0
450	3.5	6.5	4.0	8.5
500	3.0	6.0	4.0	8.0
<b>For opening angle 110°</b>				
200	6.0	12.0	8.0	15.0
250	5.0	9.5	6.0	12.0
300	4.0	8.0	5.0	10.0
350	3.0	7.0	4.0	9.0
400	3.0	6.0	4.0	7.5
450	2.5	5.0	3.5	7.0
500	2.0	5.0	3.0	6.0

Area of application	Edge distance mm	Cat. No.
For wooden flaps or flaps with aluminium frame, from frame width 45 mm	28	373.66.611
	37	373.66.612
For flaps with aluminium frame with frame width 20 mm	28	373.66.621
	37	373.66.622

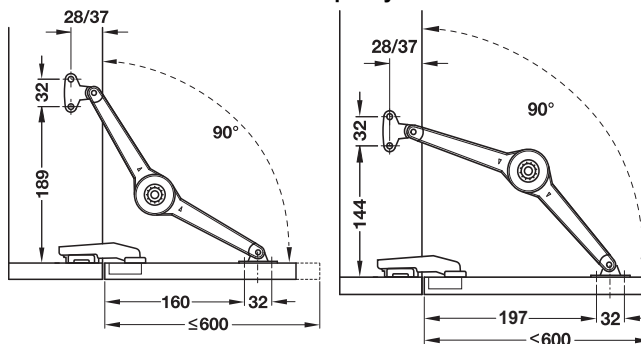
Packing: 1 piece

732.02.361; HDE-en, 04/11; Dimensional data not binding. We reserve the right to alter specifications without notice.

## → Duo forte 3666 Complete set



### Duo forte 3666 Installation as flap stay



Mounting with magnet

Mounting without magnet

### Sample measurements table for max. flap weight

Flap height mm	max. flap weight kg			
	Lock function		Braking function	
	1 Stay	2 Stays	1 Stay	2 Stays
<b>For opening angle 90°</b>				
200	12.5	15.0	15.0	15.0
250	9.5	15.0	12.0	15.0
300	8.0	15.0	10.0	15.0
350	7.0	13.5	9.0	15.0
400	6.0	12.0	8.0	15.0
450	5.0	11.0	7.0	14.0
500	5.0	9.5	6.0	12.0
550	4.0	8.5	5.5	11.0
600	4.0	8.0	5.0	10.0

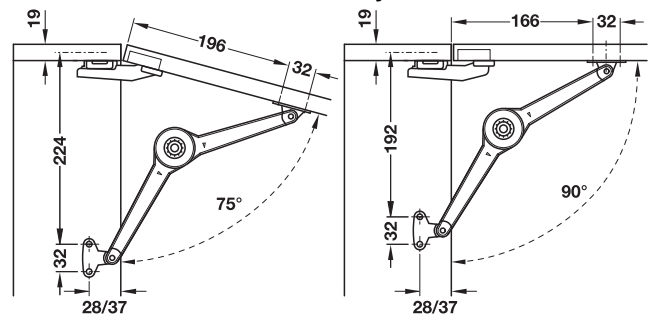
### Supplied with

- 1 Lid stay
- 1 Mounting bracket
- 1 Screw-on bracket
- Installation instructions

Area of application	Edge distance mm	Cat. No.
For wooden flaps or flaps with aluminium frame, from frame width 45 mm	28	373.66.631
	37	373.66.632
For flaps with aluminium frame with frame width 20 mm	28	373.66.641
	37	373.66.642

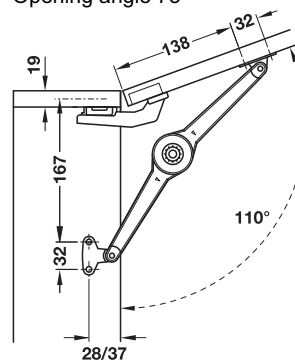
Packing: 1 piece

### Duo forte 3666 Installation as lid stay



Opening angle 75°

Opening angle 90°



Opening angle 110°

### Sample measurements table for max. flap weight

Flap height mm	max. flap weight kg			
	Lock function		Braking function	
	1 Stay	2 Stays	1 Stay	2 Stays
<b>For opening angle 75°</b>				
200	14.0	15.0	15.0	15.0
250	11.5	15.0	15.0	15.0
300	9.0	15.0	12.0	15.0
350	8.0	15.0	11.0	15.0
400	7.0	14.0	9.0	15.0
450	6.0	12.5	8.0	15.0
500	5.5	11.0	7.0	15.0
550	5.0	10.0	6.5	13.0
600	5.0	9.5	6.0	12.0
650	4.0	8.5	5.5	11.0
700	4.0	8.0	5.0	10.5
<b>For opening angle 90°</b>				
200	12.5	15.0	15.0	15.0
250	9.5	15.0	12.0	15.0
300	8.0	15.0	10.0	15.0
350	7.0	13.5	9.0	15.0
400	6.0	12.0	8.0	15.0
450	5.0	11.0	7.0	14.0
500	5.0	9.5	6.0	12.0
550	4.0	8.5	5.5	11.0
600	4.0	8.0	5.0	10.0
650	3.5	7.0	5.0	9.5
700	3.0	7.0	4.0	9.0
<b>For opening angle 110°</b>				
200	9.5	15.0	12.5	15.0
250	7.5	15.0	10.0	15.0
300	6.5	12.5	8.0	15.0
350	5.5	11.0	7.0	14.0
400	4.5	9.5	6.0	12.5
450	4.0	8.5	5.5	11.0
500	4.0	7.5	5.0	10.0
550	3.5	7.0	4.0	9.0
600	3.0	6.0	4.0	8.0
650	3.0	5.5	4.0	7.5
700	3.0	5.0	3.5	7.0

### → Duo 3667 and Duo forte 3666 lid stays, individual components



- Opening angle: 75°, 90° or 110°
- Material: Zinc alloy
- Finish: Nickel plated
- Version: With self closing function
- Mounting: For left and right hand use
- Installation: Without tools (clip system) onto pre-mounted mounting bracket
- Lock function: Flap locks in any position, braking function: Flap locks in end position release by slight pressure

#### Supplied with

- 1 Lid stay
- 1 Set of installation instructions

Model series	Cat. No.
Duo	373.66.660
Duo forte	373.66.661

Packing: 1 or 20 pieces

#### Order reference

**Mounting brackets and screw-on brackets are not supplied. Please order separately.**

### → Accessories for Duo 3667 and Duo forte 3666

#### Fixing bracket for cabinet



- Area of application: For mounting the lid stay to the cabinet
- Material: Steel
- Finish: Nickel plated

	Cat. No.
For edge distance (cabinet) 28 mm	373.66.693
For edge distance (cabinet) 37 mm	373.66.694

Packing: 1 or 20 pieces

#### Screw-on bracket for flaps



For wooden flaps or flaps with aluminium frame, from frame width 45 mm and above

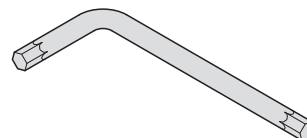
For flaps with aluminium frame with frame width 20 mm

- Area of application: For mounting the lid stay to the flap
- Material: Steel
- Finish: Nickel plated

Installation	Cat. No.
<b>For wooden flaps or flaps with aluminium frame, from frame width 45 mm and above</b>	
For Varianta special screw	373.66.036
For chipboard screws	373.66.681
<b>For flaps with aluminium frame 20 mm</b>	
For flaps with aluminium frame, with frame width 20 mm	373.66.682

Packing: 1 piece

#### Allen key, L shape



- Material: Steel

Spanner size mm	Cat. No.
4	008.28.241

Packing: 1 or 500 pieces



## Imprint

Reproduction of this catalogue in whole or in part, the copying or imitation of any illustrations and the imitation of the layout are strictly prohibited.

The technical descriptions and dimensions in this catalogue, also those with the photographs and drawings, are not binding. We reserve the right to alter specifications without notice. All dimensions in mm, unless stated otherwise.

All deliveries are subject to the Häfele conditions of sale, delivery and payment, which can be inspected at [www.hafele.com](http://www.hafele.com).

Issued by:  
Häfele GmbH & Co KG  
Adolf-Häfele-Straße 1  
D-72202 Nagold

Phone +49(0)7452/95-0  
Fax +49(0)7452/95-200  
Internet: [www.hafele.com](http://www.hafele.com)  
e-mail: [info@haefele.de](mailto:info@haefele.de)

April 2011  
© by Häfele Nagold.  
All rights reserved.  
Printed in Germany.  
Imprimé en Allemagne.



## Europe

### Headquarters Germany

Häfele GmbH & Co KG  
72202 Nagold  
Phone +49 (0)74 52 / 95-0  
Fax +49 (0)74 52 / 95-2 00  
info@hafele.de

### Austria

Häfele Austria GmbH  
5322 Hof bei Salzburg  
Phone +43 (0)62 29 / 3 90 39-0  
Fax +43 (0)62 29 / 3 90 39-30  
info@hafele.at

### Belgium

Häfele Belgium N. V.  
9240 Zele  
Phone +32 (0)52 / 45 01 14  
Fax +32 (0)52 / 45 01 51  
info@hafele.be

### Czech Republic & Slovakia

Häfele Czech & Slovakia s.r.o.  
140 00 Praha 4  
Phone +42 02 41 09 50 00  
Fax +42 02 41 09 50 01  
info.cz@hafele.de

### Croatia

Häfele GmbH & Co KG  
Representative in Kroatien  
10090 Zagreb  
Phone +38 51 / 3 43 57 40  
Fax +38 51 / 3 43 57 41  
info-croatia@hafele.com

### Denmark

Häfele Danmark A/S  
7800 Skive  
Phone +45 97 / 51 15 22  
Fax +45 97 / 51 12 13  
info@hafele.dk

### Finland

Häfele GmbH & Co KG  
Sivuliike Suomessa  
15200 Lahti  
Phone +3 58 (0)3 / 8 77 77-0  
Fax +3 58 (0)3 / 8 77 77-88  
info@hafele.fi

### France

Häfele France s.à.r.l.  
95157 Taverny Cédex  
Phone +33 (0)1 / 30 40 54 50  
Fax +33 (0)1 / 30 40 54 61  
info@hafele.fr

### Great Britain

Häfele U.K. Ltd.  
Rugby, Warks. CV211RD  
Phone +44 (0)17 88 / 54 20 20  
Fax +44 (0)17 88 / 54 44 40  
info@hafele.co.uk

### Greece

Häfele GmbH & Co KG  
Information Office  
15124 Maroussi  
Phone +30 2 10 / 6 17 95 44  
Fax +30 2 10 / 6 17 95 45  
info@hafele.gr

### Hungary

Häfele GmbH & Co KG  
Representative in Hungary  
1132 Budapest  
Phone +36 (0)1 / 2 25 34 14  
Fax +36 (0)1 / 2 02 01 82  
info-hungary@hafele.com

### Ireland

Häfele Ireland Ltd.  
Kilcoole, Co. Wicklow  
Phone +3 53 (0)1 / 2 87 34 88  
Fax +3 53 (0)1 / 2 87 35 63  
info@hafele.ie

### Italy

Häfele Italia s.r.l.  
20823 Lentate s.S. (MB)  
Phone +39 03 62 / 57 74-1  
Fax +39 03 62 / 57 74-4 77  
info@hafele.it

### Netherlands

Häfele Nederland BV  
7333 NZ Apeldoorn  
Phone +31 (0)55 / 5 38 46 00  
Fax +31 (0)55 / 5 42 49 50  
info@hafele.nl

### Poland

Häfele Polska Sp. z o.o.  
55-090 Dlugoleka  
Phone +48 (0)71 / 3 15 32 42  
Fax +48 (0)71 / 3 15 32 62  
info@hafele.pl

### Portugal

Häfele GmbH & Co KG  
Escritorio de Vendas Portugal  
4465-671 Leça de Balio  
Phone +3 51 (0)22 / 9 47 55 96  
Fax +3 51 (0)22 / 9 48 15 74  
info-portugal@hafele.com

### Romania

Häfele Romania S.R.L.  
RO-300562 Timisoara  
Phone +40 (0)2 56 / 30 61 72  
Fax +40 (0)2 56 / 30 61 73  
info@hafele.ro

### Russia

Häfele Rus OOO  
MKAD 14. km, Building 10  
109429 Moscow  
Phone +7 (495)7 87 / 07 85  
Fax +7 (495)7 87 / 07 84  
info@hafele.ru

### Serbia

Häfele Serbia d.o.o  
22330 Nova Pazova  
Phone +3 81 22 / 32 55 55  
Fax +3 81 22 / 32 59 99  
info-serbia@hafele.com

### Spain

Häfele Herrajes España S.L.  
28923 Alcorcón-Madrid  
Phone +34 91 / 6 44 80 21  
Fax +34 91 / 6 44 80 28  
info@hafele.es

### Sweden

Häfele GmbH & Co KG  
Tyskland Fällial Sverige  
55303 Jönköping  
Phone +46 (0)46 36 / 18 00 88  
Fax +46 (0)46 36 / 18 00 99  
info@hafele.se

### Switzerland

Häfele Schweiz AG  
8280 Kreuzlingen  
Phone +41 (0)71 / 6 86 82 20  
Fax +41 (0)71 / 6 86 82 82  
info@hafele.ch

### Turkey

Häfele San. ve Tic. A.S.  
34776, Ümraniye, Istanbul  
Phone +90 (0)2 16 / 5 28 59 00  
Fax +90 (0)2 16 / 5 28 59 30  
info@hafele.com.tr

### Ukraine

Häfele Ukraine LLC  
80362 Kulykiv  
Zhovkva District, Lviv Region  
Phone +3 80 32 / 2 35 15 59  
Fax +3 80 32 / 2 35 15 60  
info@hafele.com.ua

## Africa

### South Africa

Häfele South Africa (Pty) Ltd  
Honeydew 2040  
Phone +27 (0)11 / 7 96 81 00  
Fax +27 (0)11 / 7 94 14 90  
info@hafele.co.za

## America

### Argentina

Häfele Argentina S.A.  
B1611GFG-Don Torcuato-Buenos Aires  
Phone +54 (0)11 / 63 47 26 00  
Fax +54 (0)11 / 63 47 26 26  
info@hafele.com.ar

### Brazil

Häfele Brasil Ltda.  
Piraquara-Paraná, CEP: 83302-000  
Phone +55 (0)41 / 30 34 - 81 50  
Fax +55 (0)41 / 30 34 - 81 52  
info@hafele.com.br

### Canada

Häfele Canada Inc.  
Burlington, ON L7L 6A8  
Phone +1 9 05 / 3 36 66 08  
Fax +1 9 05 / 3 19 44 46  
info\_can@hafeleamericas.com

### Mexico

Häfele de México S.A. de C.V.  
El Marqués, Querétaro, México.  
Phone +52 (0)4 42 / 2 96 86 00  
Fax +52 (0)4 42 / 2 96 86 20  
hmxinfomexico@hafele.com.mx

### United States of America

Häfele America Co  
Archdale, N.C. 27263  
Phone +1 3 36 / 4 34 23 22  
Fax +1 3 36 / 4 31 38 31  
info\_us@hafeleamericas.com

## Asia

### Kazakhstan

Häfele Kazakhstan TOO  
050008 Almaty  
Phone +7 (727) 376 08 13  
Fax +7 (727) 376 09 42  
info@hafele.kz

## Australia, New Zealand

### Australia

Häfele Australia Pty. Ltd.  
Dandenong, VIC 3175  
Phone +61 (0)3 / 92 12 20 00  
Fax +61 (0)3 / 92 12 20 01  
info@hafele.com.au

### New Zealand

Häfele (N.Z.) Limited  
East Tamaki, Auckland  
Phone +64 (0)9 / 2 74 20 40  
Fax +64 (0)9 / 2 74 20 41  
info@hafele.co.nz

## Middle East

### Dubai

Häfele GmbH & Co KG  
Dubai Representative Office  
Dubai/U.A.E.  
Phone +9 71 (0)4 / 2 84 44 06  
Fax +9 71 (0)4 / 2 86 08 49  
info@hafele.ae

## Far East

### China

Häfele Hardware Technology  
(China) Co., Ltd.  
101318 Beijing  
Phone +86 (0)10 / 80 48 26 86  
Fax +86 (0)10 / 80 48 28 85  
info\_bj@hafele.com.cn

## Hong Kong

Häfele GmbH & Co KG  
HK Representative Office  
Hong Kong  
Phone +8 52 / 23 68 64 33  
Fax +8 52 / 23 68 99 72  
info\_hk@hafele.com.cn

## India

Häfele India Private Limited  
Mumbai 400 042  
Phone +91 (0)22 / 66 95 09 20/21  
Fax +91 (0)22 / 66 95 09 22  
info@hafeleindia.com

## Indonesia

P.T. Häfele Indotama  
Tangerang 15314  
Phone +62 (0)21 / 75 87 88 88  
Fax +62 (0)21 / 75 87 77 77  
info@hafele.co.id

## Japan

Häfele Japan K.K.  
Totsuka-ku, Yokohama 244-0806  
Phone +81 (0)45 / 8 28 31 17  
Fax +81 (0)45 / 8 28 31 13  
info@hafele.co.jp

## Korea

Häfele Korea Inc.  
659 Jinu-ri, Dochuik-myon,  
Gwangju-si, Gyeonggi-do  
Phone +82 (0)31 / 7 60 76 00  
Fax +82 (0)31 / 7 60 76 09  
info@hafele.co.kr

## Malaysia

Häfele (Malaysia) Sdn Bhd  
40150 Shah Alam, Selangor  
Phone +60 (0)3 / 55 69 25 26  
Fax +60 (0)3 / 55 69 35 26  
info@hafele.com.my

## Philippines

Häfele Philippines Inc.  
Barangay Ususan  
Taguig City 1638  
Metro Manila  
Phone +63 (0)2 / 5 71 36 78  
Fax +63 (0)2 / 5 71 36 99  
info@hafele.com.ph

## Singapore

Häfele Singapore Pte Ltd  
Singapore 729504  
Phone +65 / 64 94 74 00  
Fax +65 / 64 94 74 01  
info@hafele.com.sg

## Taiwan

Häfele Taiwan Ltd.  
Taipei County 248, Taiwan (R.O.C.)  
Phone +8 86 (0)2 / 22 98 00 30  
Fax +8 86 (0)2 / 22 98 00 31  
info@hafele.com.tw

## Thailand

Häfele (Thailand) Limited  
57 Soi Sukhumvit 64  
Bangkok 10260  
Phone +66 (0)2 / 7 41 71 71  
Fax +66 (0)2 / 7 41 72 72  
info@hafele.co.th

## Vietnam

Häfele Vina Co., Ltd.  
Ho Chi Minh City  
Phone +84 (0)8 / 39 57 31 66  
Fax +84 (0)8 / 39 57 31 67  
info@hafele.com.vn

